

SPECIFICATION

COMMERCIALY AVAILABLE

ITEM: SAW FILTER
PART NUMBER: SF0845012
RoHS

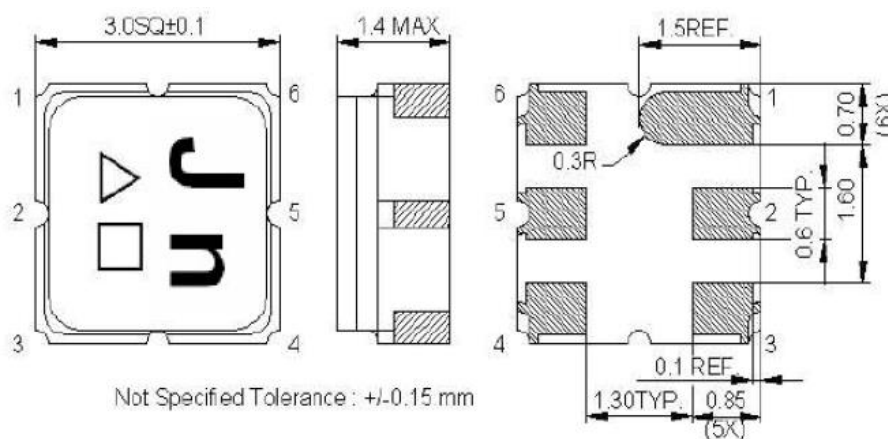
ISSUED / REVISION	ENGINEER APPROVED	DOCUMENT CHECKED	DRAFTSMAN
04/22/2024 ^(ASM)	04/22/2024 ^(TG)		

FILTRONETICS Inc

1. Electrical Specifications:

Index	Unit	Min	Typical	Max
Center Frequency Fc	MHz	-	845	-
Insertion Loss (839 ~ 851 MHz) IL	dB	-	1.4	3.0
Amplitude Ripple (839 ~ 851 MHz) P-P	dB	-	0.3	1.8
Group Delay Variation (839 ~ 851 MHz) p-p	nsec	-	15	40
VSWR (839 ~ 851 MHz) input / output	dB	-	1.5	2.2
Attenuation (reference from 0dB)				
10 ~ 804 MHz	dB	35	37	-
869 ~ 894 MHz	dB	30	39	-
894 ~ 920 MHz	dB	35	42	-
920 ~ 1210 MHz	dB	35	42	-
1210 ~ 1500 MHz	dB	35	45	-
1500 ~ 2000 MHz	dB	30	33	-
2000 ~ 2600 MHz	dB	20	25	-
2600 ~ 3000 MHz	dB	20	22	-
Input Power Level	dBm	-	-	16
DC Voltage	V	-	-	6
Moisture Sensitivity Level	-	Level 1		
Operating Temperature	°C	- 40	-	+ 125
Storage Temperature	°C	- 40	-	+ 125
Temperature Coefficient	ppm/°C	-36		
Source / Load Impedance	Ω	50 / 50		
Package	mm ³	3.0 x 3.0 x 1.4		

2. Package Dimension:



Not Specified Tolerance : +/-0.15 mm

△ : Year Code (2009->9, 2010->0, ..., 2018->8)

□ : Date Code (Follow the table from planner each year)

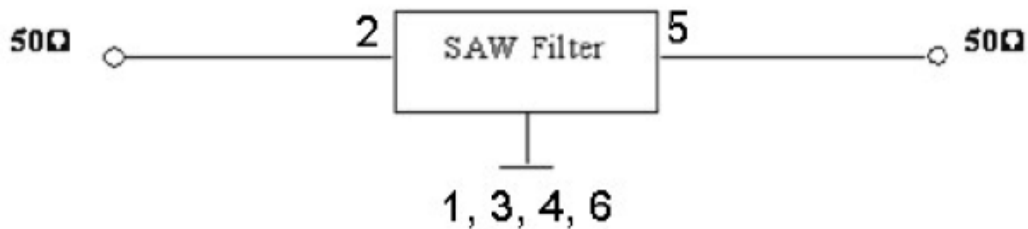
#2: Input

#5: Output

#1, 3, 4, 6: Ground

3. Matching Configuration:

HP Network analyzer



Source / Load Impedance = 50 Ω
 Ambient Temperature = 25 °C

4. Typical Performance:

