

SPECIFICATION

COMMERCIALY AVAILABLE

SAW BAND PASS FILTER
PART NUMBER: SF0120015
RoHS

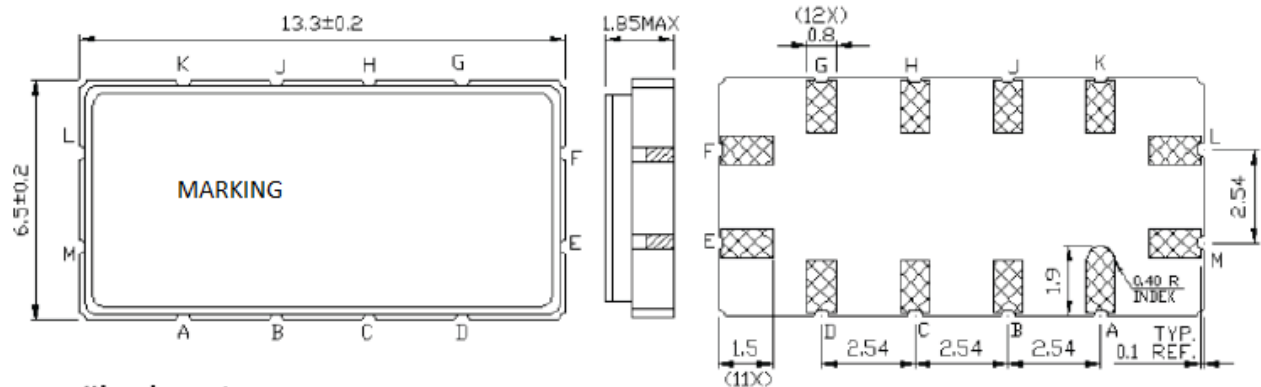
ISSUED / REVISION	ENGINEER APPROVED	DOCUMENT CHECKED	DRAFTSMAN
07/01/2021 ^(ASM)			

FILTRONETICS Inc

1. Electrical Specifications:

Index	Unit	Min	Typical	Max
Center Frequency Fc	MHz	-	120	-
Insertion Loss (112.7 ~ 127.3 MHz) IL	dB	-	28.7	30.0
1 dB Bandwidth	MHz	14.15	14.25	-
3 dB Bandwidth	MHz	-	14.6	-
10 dB Bandwidth	MHz	-	15.2	15.3
40 dB Bandwidth	MHz	-	16.1	-
Amplitude Ripple (F ± 6.92 MHz)	dB	-	0.7	1.2
Group Delay Ripple (F ± 6.92 MHz)	ns	-	60	-
ABS Group Delay	µs	-	1.5	-
Attenuation (reference from Min. IL)				
Ultimate Rejection	dB	38	42	-
Input Power Level	dBm	-	-	10
DC Voltage	V	-	-	10
Operating Temperature	°C	- 10	-	+ 80
Storage Temperature	°C	- 40	-	+ 85
Temperature Coefficient	ppm/°C	-	-23	-
Source / Load Impedance	Ω	50 / 50		
Package	mm	13.3 x 6.5 x 1.85		

2. Dimensions:



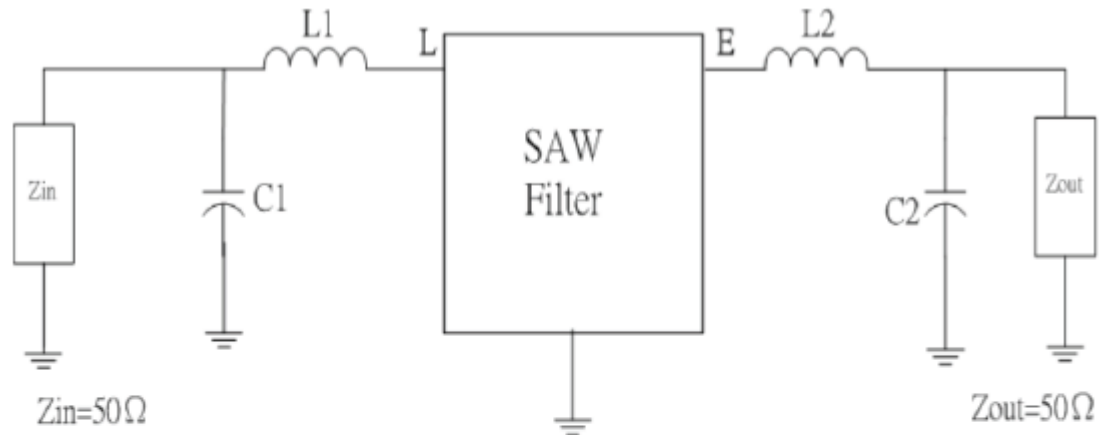
#L : Input

#M : Input Ground

#E : Output

#F : Output Ground

#A,B,C,D,G,H,J,K : Ground

3. Matching Configuration:

$$L1 = 68 \text{ nH}, L2 = 68 \text{ nH}, C1 = 15 \text{ pF}, C2 = 15 \text{ pF}$$

$$\text{Source / Load Impedance} = 50\Omega$$

$$\text{Ambient Temperature} = 25^\circ\text{C}$$

4. Response Plots:

