

SPECIFICATION

COMMERCIALY AVAILABLE

MONOLITHIC CRYSTAL FILTER

PART NUMBER: M70DBF

RoHs

ISSUED / REVISION	ENGINEER APPROVED	DOCUMENT CHECKED	DRAFTSMAN
7/23/14 kn			

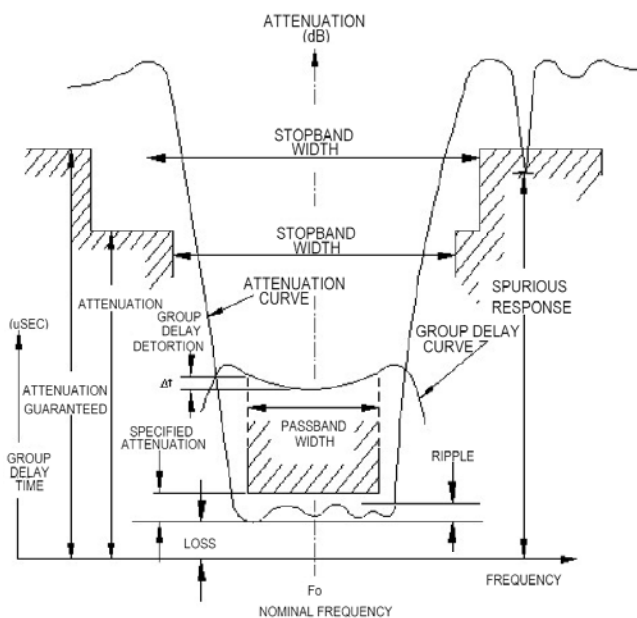
FILTRONETICS Inc

1. Part Number: M70DBF

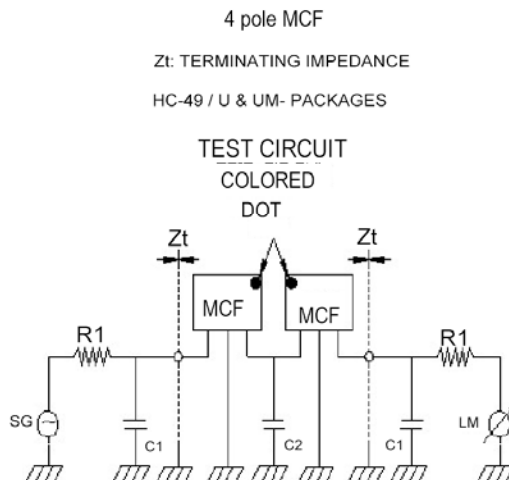
2. Electrical Specifications:

Center Frequency (Fo)		70MHz	
3dB Pass Band:		±6KHz	
30dB Stop Band:		±25KHz	
Ripple:		1.0dB	
Insertion Loss:		3.0dB	
Ultimate Attenuation:	(Fo±KHz) +500KHz to +1000KHz	70dB	
	(Fo±KHz) -200KHz to -1000KHz	75dB	
Terminating Impedance:		Zt (Z // pF)	2C (pF)
		2000// -0.2	0
Poles:		4	

MEASUREMENT DEFINITIONS

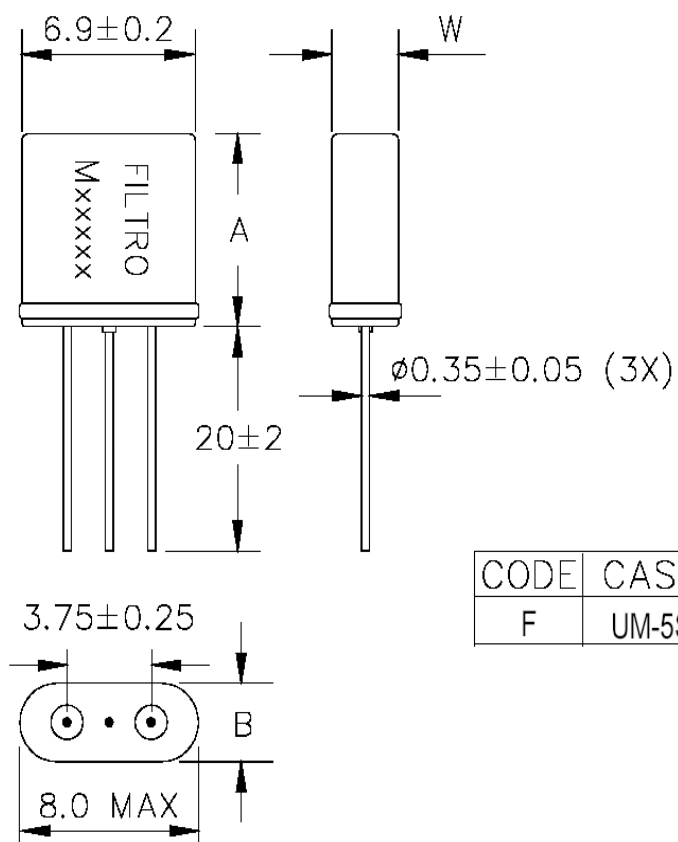


R1 = TERMINATING RESISTANCE
 C1 = TERMINATING CAPACITANCE
 C2 = JUNCTION CAPACITANCE
 CONSULT FACTORY FOR ALTERNATE LOADING CIRCUITS



3. Mechanical Package Style:

CASE UM—_



		DIMENSIONS (mm)		
CODE	CASE	A	B	W
F	UM-5S	6.0 MAX	2.5 ± 0.2	1.8 ± 0.2

FIGURE M4 CASE UM