

SPECIFICATION

COMMERCIALY AVAILABLE

CERAMIC BAND PASS FILTER

PART NUMBER: FNP-1483

RoHS

Also available in SMD, See CF-03250105

ISSUED / REVISION	ENGINEER APPROVED	DOCUMENT CHECKED	DRAFTSMAN	DOCUMENT CHECKED
10/17/2019 ^(ASM)				

FILTRONETICS Inc

1. APPLICATION

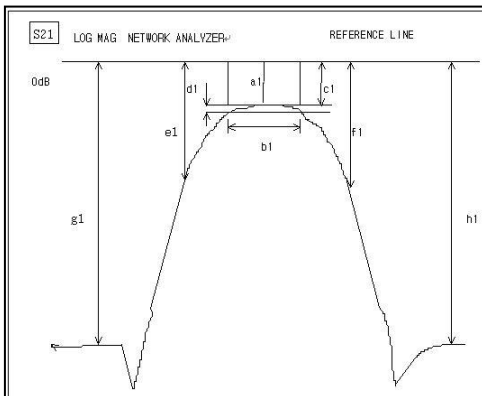
THIS SPECIFICATION APPLIES TO A BAND PASS FILTER, USING DIELECTRIC RESONATORS.

2. PART NUMBER: FNP-1483

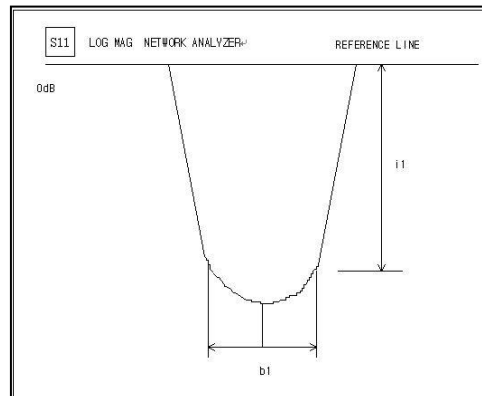
3. SPECIFICATIONS:

Parameter	Unit	Specification
Center Frequency	MHz	325
Bandwidth	MHz	$F_c \pm 2.5$ Min. (322.5 ~ 327.5MHz)
3dB Bandwidth		10 Min.
Insertion Loss in BW	dB	2.0 Max.
Ripple in BW	dB	1.0 Max.
Return Loss in BW	dB	15 Min.
Attenuation	dBc	37 Min. @ DC ~ 300MHz
		30 Min. @ 345 ~ 600MHz
Input Power	Watt	1 Max.
IN/OUT Impedance	Ω	50
Operating Temp. Range	$^{\circ}\text{C}$	-30 ~ +75

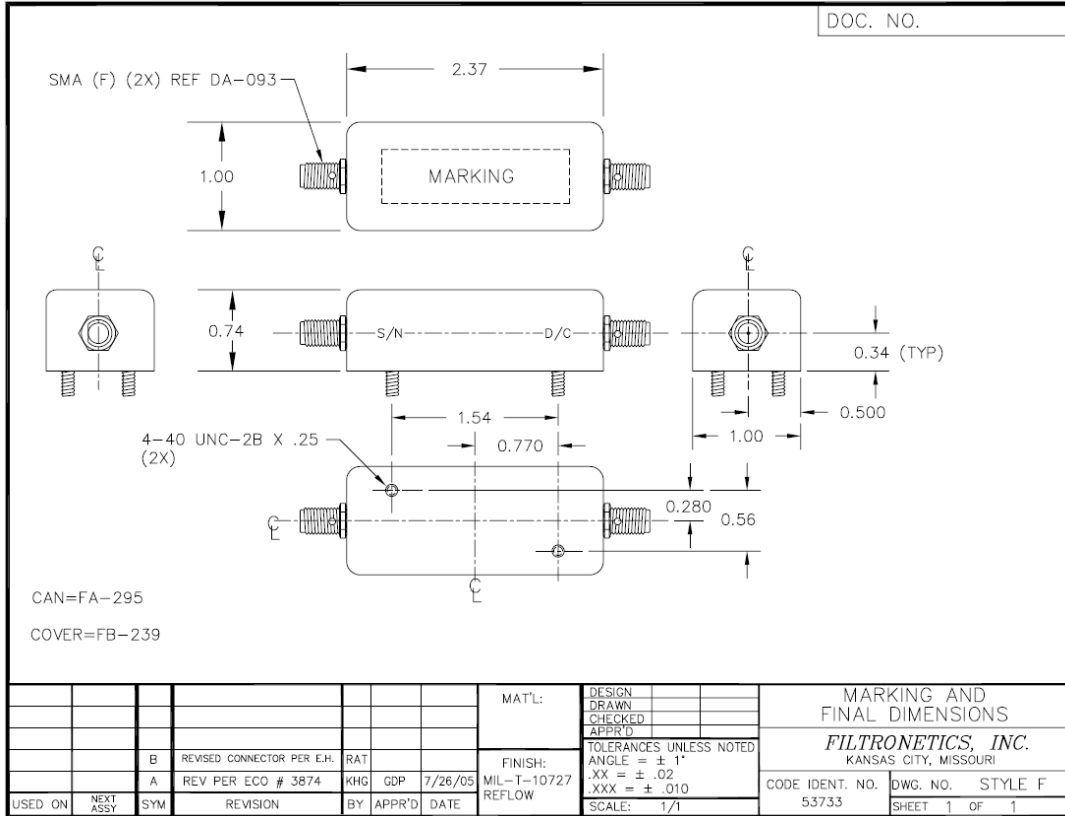
S21 LOG MAG NETWORK ANALYZER



S11 LOG MAG NETWORK ANALYZER



4. DIMENSIONS:



5. SIMULATION:

