

**SPECIFICATION**  
**COMMERCIALY AVAILABLE**  
 CAVITY FILTER  
 PART NUMBER: FNP-1298

ISSUED / REVISION	ENGINEER APPROVED	DOCUMENT CHECKED	DRAFTSMAN
1/3/13 DS	06/07/2013 TFG		06/07/2013 GL

**FILTRONETICS Inc**

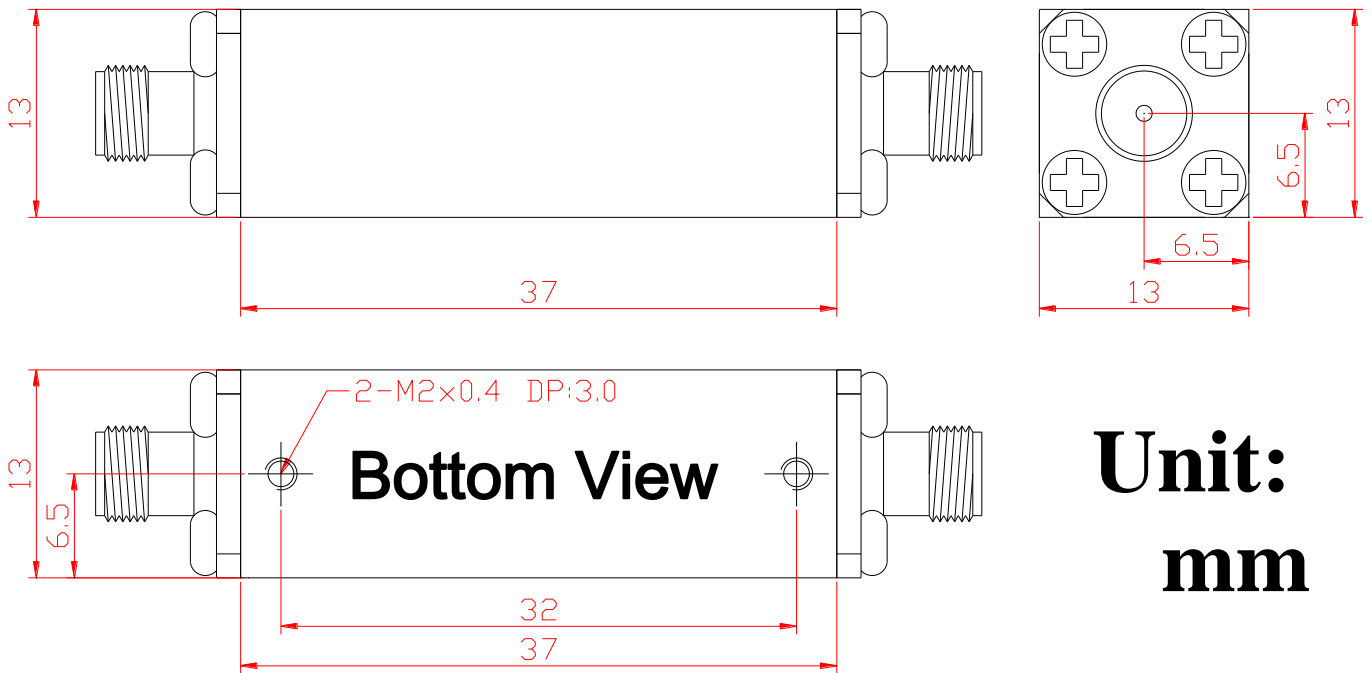
1. Part Number: FNP-1298

2. Electrical Specifications:

No.	Parameter	Unit	Specification
1	Center Frequency	MHz	20,000
2	Pass-band Bandwidth	MHz	70 min.
3	Insertion Loss in BW	dB	0.7 max.
4	Return Loss in BW	dB	15.0 min.
5	Attenuation	dB	70 min. @ 10,000 MHz 70 min. @ 30,000 MHz
6	Input Power	Watt	1 max.
7	IN/OUT Impedance	$\Omega$	50
8	Connector type	-	SMA - Type (f)
9	Finish	-	Black color epoxy coated

Marking:  
FNP-1298  
Date Code

3. Mechanical Package Style:



4. Simulation:

