

SPECIFICATION
 LC BP FILTER
COMMERCIALY AVAILABLE

PART NUMBER: FNP-1051

01/22/2020 – Updated formatting

ISSUED / REVISION	ENGINEER APPROVED	DOCUMENT CHECKED	DRAFTSMAN
11/28/11 DS	11/30/2011 TFG		11/30/2011 GL
01/22/2020 ^(ASM)			

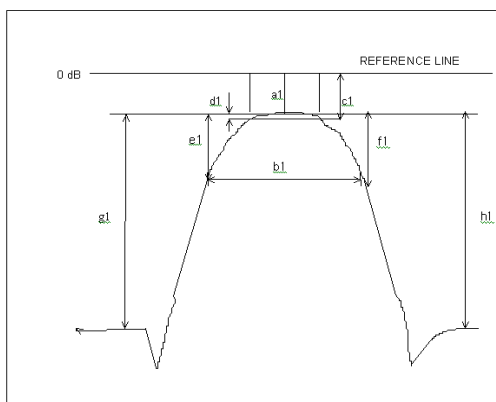
FILTRONETICS Inc

1. Part Number: FNP-1051

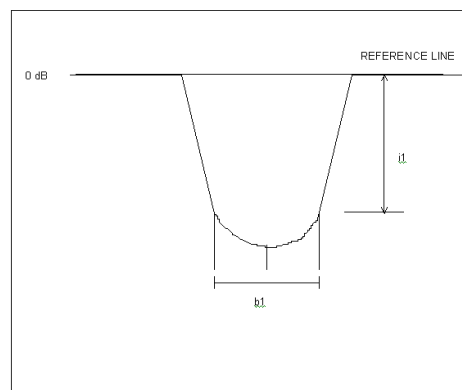
2. Electrical Specifications:

Parameter	Unit	Specification
Center Frequency	MHz	332.075
Bandwidth	MHz	$F_c \pm 2.925$ (329.15 ~ 335MHz)
Insertion Loss at F_c	dB	7.1 Max. @ +25°C
		7.7 Max. @ -40 ~ +85°C
Ripple in BW	dB	2.0 Max.
Return Loss in BW	dB	10 Min.
Attenuation	dB	46 Min. @ DC ~ 315MHz
		8.0 Min. @ 315 ~ 325MHz
		8.0 Min. @ 340 ~ 350MHz
		38.5 Min. @ 350 ~ 1000MHz
Input Power	Watt	1 Max.
IN/OUT Impedance	Ω	50
Operating Temp. Range	°C	-40 ~ +85

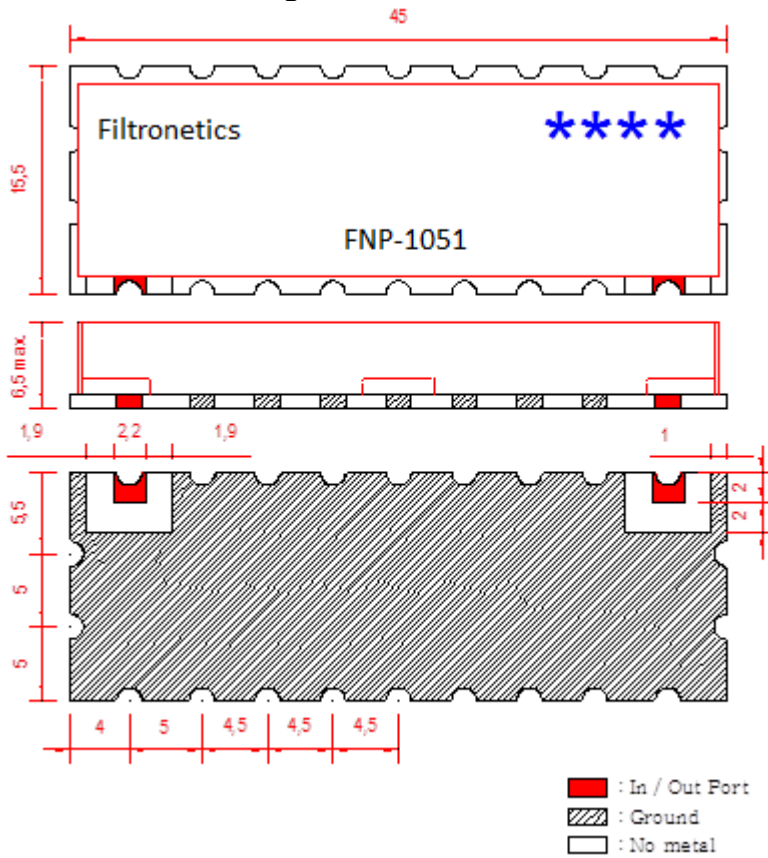
S21 LOG MAG NETWORK ANALYZER



S11 SWR NETWORK ANALYZER



3. Mechanical Package



NOTES:

1. Surface mount package
2. Dimensions in millimeters
3. Max reflow temperature 230°C for 10 sec
4. If boards are cleaned after installation units must be completely dried
5. Tolerance unless specified: ± 0.3
6. **** Date code (YYWW)

3. Response Plots:

