

SPECIFICATION

ITEM: CRYSTAL BAND PASS FILTER
 PART NUMBER: FN-4734W

ISSUED / REVISION	ENGINEER APPROVED	DOCUMENT CHECKED	DRAFTSMAN
9/20/2023 ^(PG)			

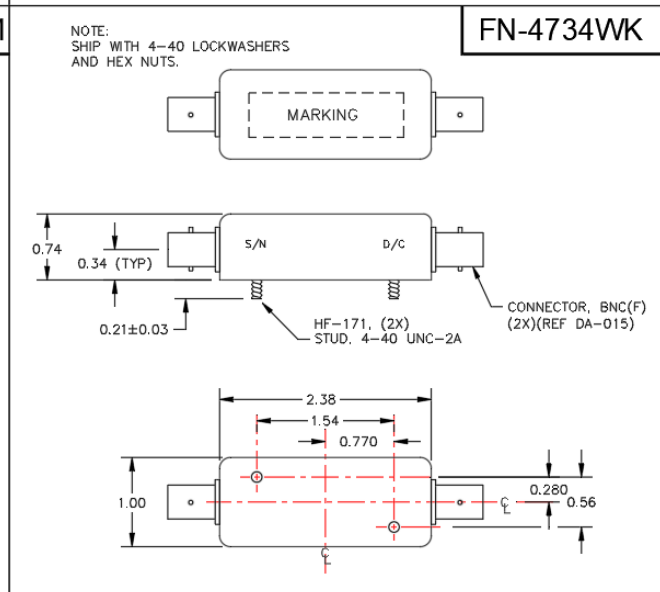
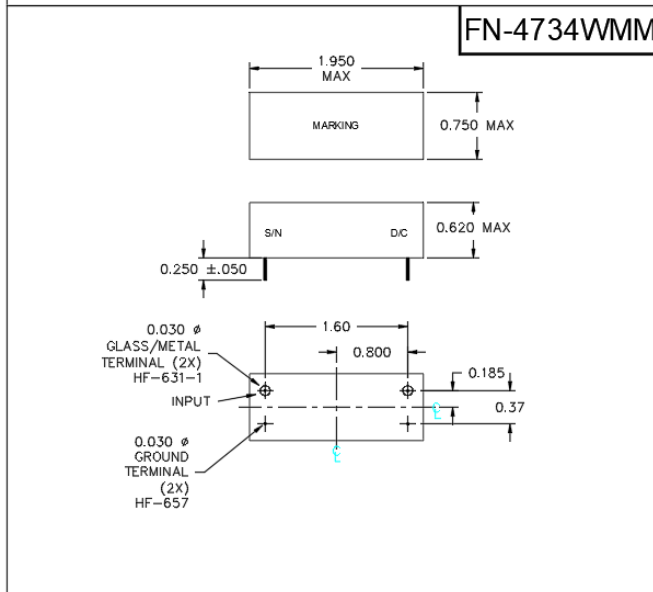
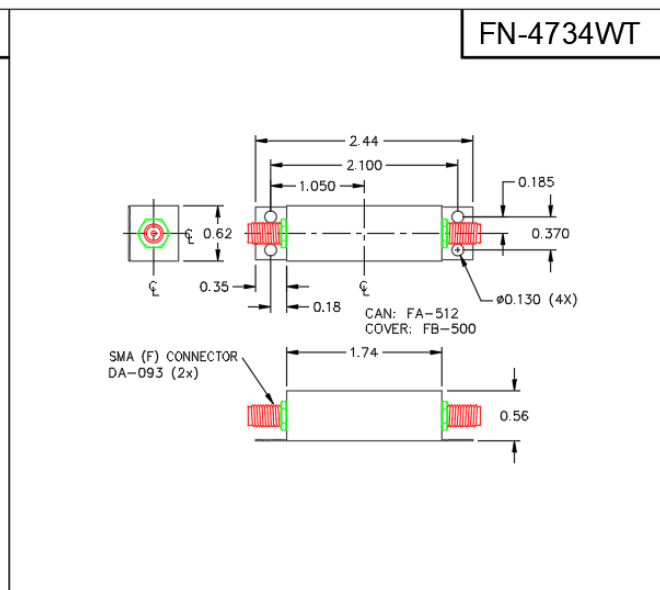
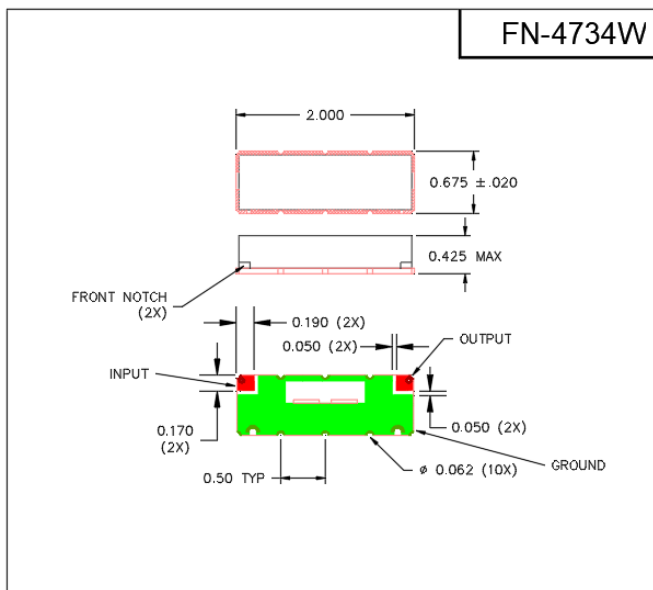
FILTRONETICS Inc

1. Part Number: FN-4734W

2. Electrical Specifications:

Filter Type	Crystal Band Pass
Center Frequency (Fo)	100 MHz
3 dB Band Width:	± 1.5 kHz Min
Insertion Loss:	10 dB Max
20 dB Band Width:	± 5 kHz Max
Pass Band Ripple:	1 dB Max
Impedance:	50 Ohms
Operating Temperature:	0 to 50°C

3. Example Mechanical Package Styles:



4. Theoretical Response Plots:

