

SPECIFICATION

ITEM: CRYSTAL BAND PASS FILTER
 PART NUMBER: FN-4710W

ISSUED / REVISION	ENGINEER APPROVED	DOCUMENT CHECKED	DRAFTSMAN
07/9/2021 ^(PG)	07/26/2021 ^(TG)	07/26/2021 ^(JE)	07/26/2021 ^(PG)

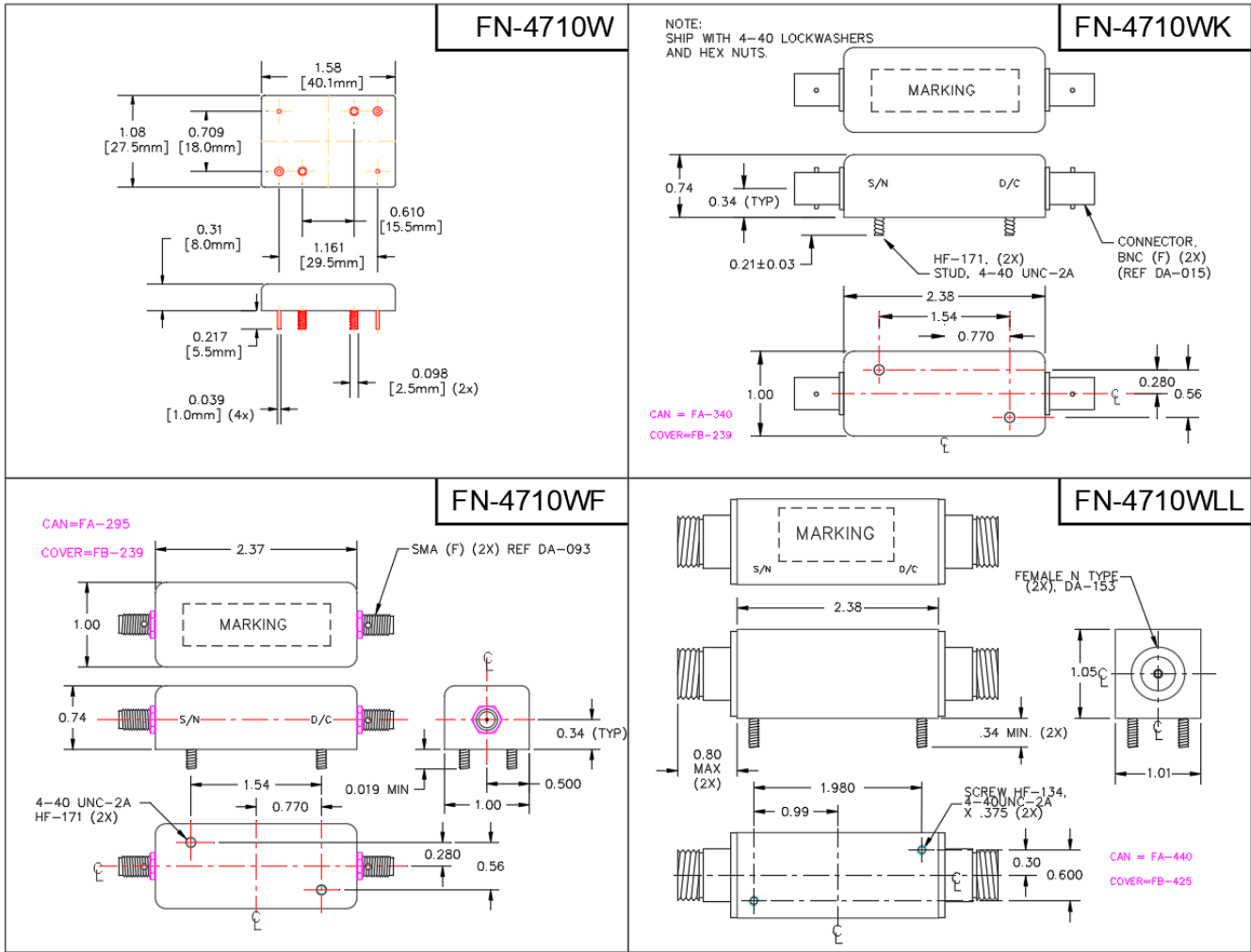
FILTRONETICS Inc

1. Part Number: FN-4710W

2. Electrical Specifications:

Filter Type	Crystal Band Pass
Center Frequency (Fo)	30.0586 MHz
3 dB Band Width:	±5 kHz Min
Insertion Loss:	5 dB Max
Pass Band Ripple:	1 dB Max
50 dB Bandwidth:	±60 kHz Max
70 dB Bandwidth:	±60 kHz
Ultimate Attenuation:	60 dB Min
Spurious Attenuation:	TBD, 40 dB Min Goal
Input Power:	0 dBm Max
Impedance: Input & Output	50 Ohms
Operating Temperature:	+10°C to +50°C
Storage Temperature:	-40°C to +70°C
Workmanship:	J-STD-001
Customer Installation:	Case Temperature Not To Exceed 170°C

3. Example Mechanical Package Styles:



4. Theoretical Response Plot:

