

# SPECIFICATION

ITEM: LC BAND PASS FILTER  
 PART NUMBER: FN-4675W

ISSUED / REVISION	ENGINEER APPROVED	DOCUMENT CHECKED	DRAFTSMAN
10/25/2019 <sup>(PG)</sup>	11/26/2019 <sup>(TG)</sup>	10/28/2019 <sup>(JE)</sup>	

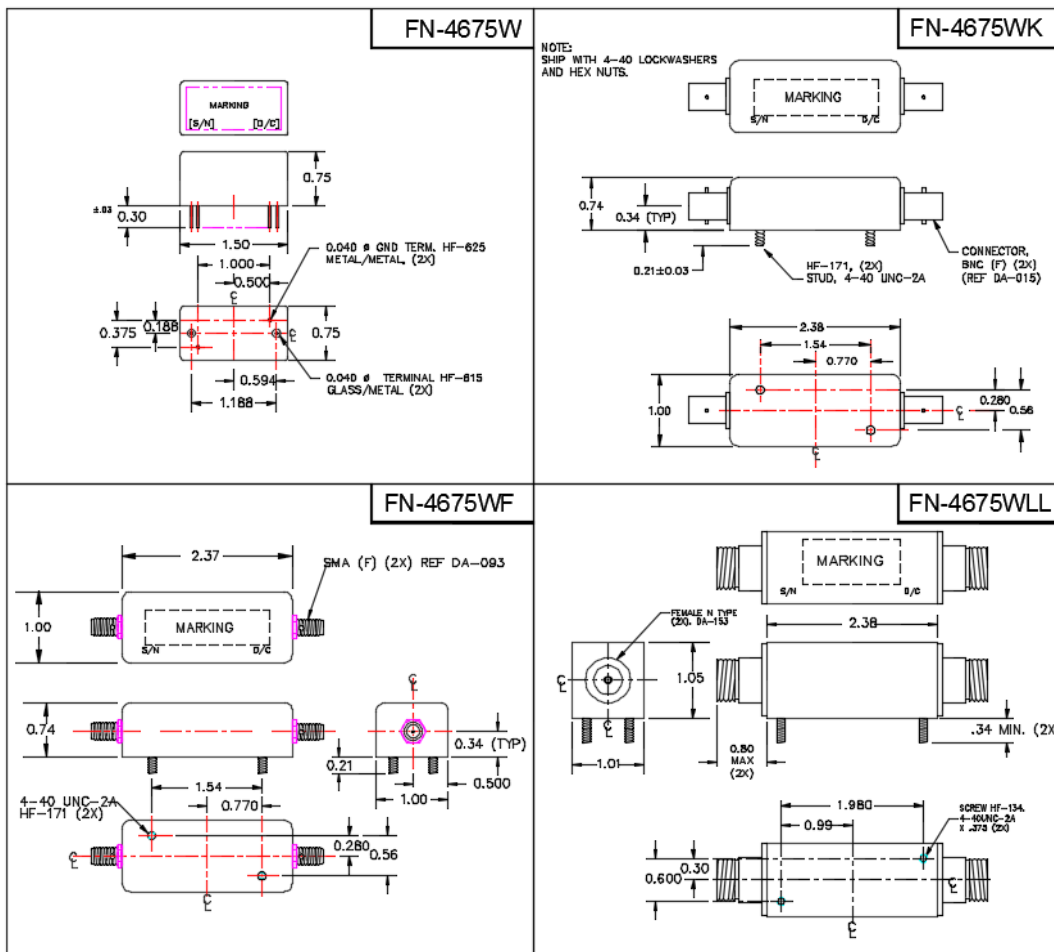
**FILTRONETICS Inc**

1. Part Number: FN-4675W

2. Electrical Specifications:

Filter Type		LC Band Pass
Center Frequency (Fo)		305 MHz
3 dB Band Width:		30 MHz Min
Insertion Loss:		3 dB Max
Pass Band Ripple:		1 dB Max
Attenuation:	At 255 MHz	50 dB Min
	At 355 MHz	45 dB Min
	At 380 MHz	30 dB Min
Input Power:		0 dBm Max
Impedance:		50 Ohms
Operating Temperature:		- 20°C to +85°C
Workmanship:		J-STD-001

3. Mechanical Package Example Styles:



4. Theoretical Response Plot:

