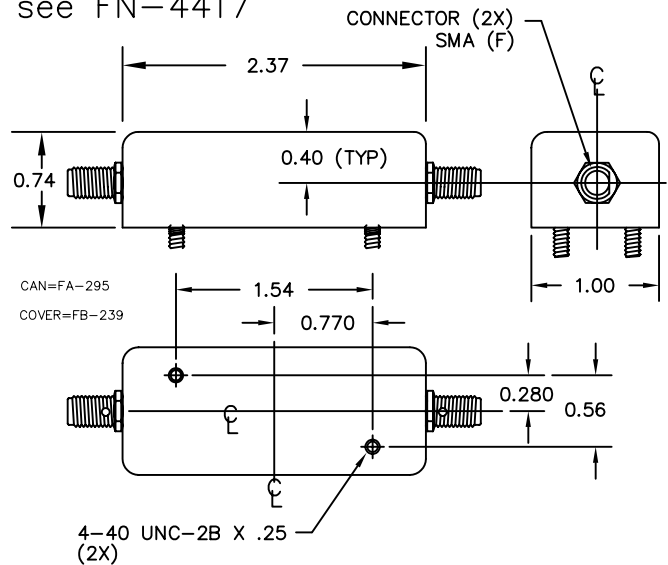


LC BAND PASS FILTER

Fo: 720 MHz
3dB BANDWIDTH: ±200 MHz MIN
INSERTION LOSS: 2 dB MAX
PASS BAND RETURN LOSS: 15 dB MIN
PASS BAND RIPPLE: 1 dB MAX
ATTENUATION: 50 dB MIN @ 420 MHz
 45 dB MIN @ 1020 MHz
GROUP DELAY VARIATION Fo±200MHz: 10nSec MAX
INPUT POWER: 0 dB MAX
IMPEDANCE : 50 ohms
OPERATING TEMPERATURE: 0 to +50°C
WORKMANSHIP: J-STD-001 CLASS 2
RoHS COMPLIANT: NO

Also available as SMD
see FN-4417

FN-4260-1W



FN-4260-1W DRAWING SUMMARY

FILTRONETICS, INC.
 6010 PARRETTA DR.
 KANSAS CITY, MO 64120
 816-231-7375
 FAX 816-241-0368
 WWW.FILTRO.NET

TOLERANCES UNLESS NOTED

.XX = ± .020
.XXX = ± .010

ANGLE = ± 1°
HOLES = ± .002

ISSUED 07/25/2013