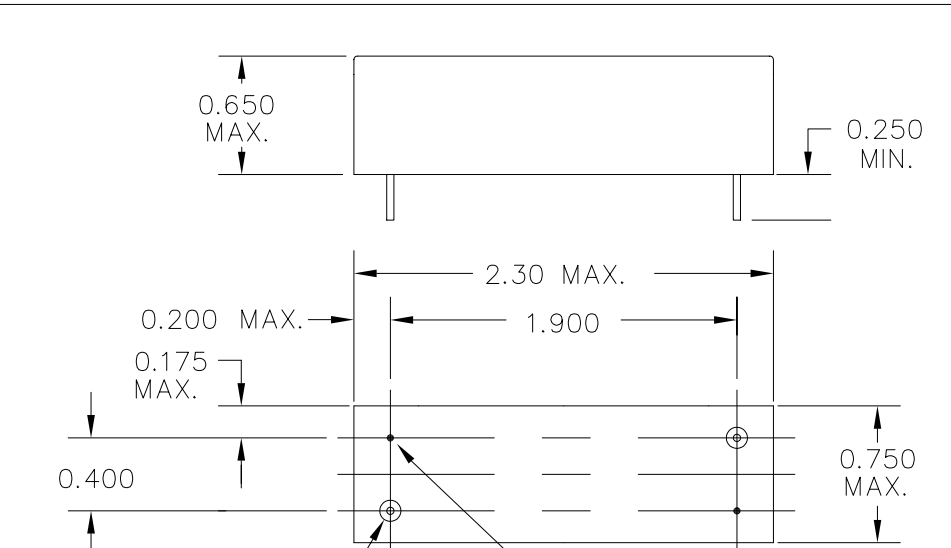
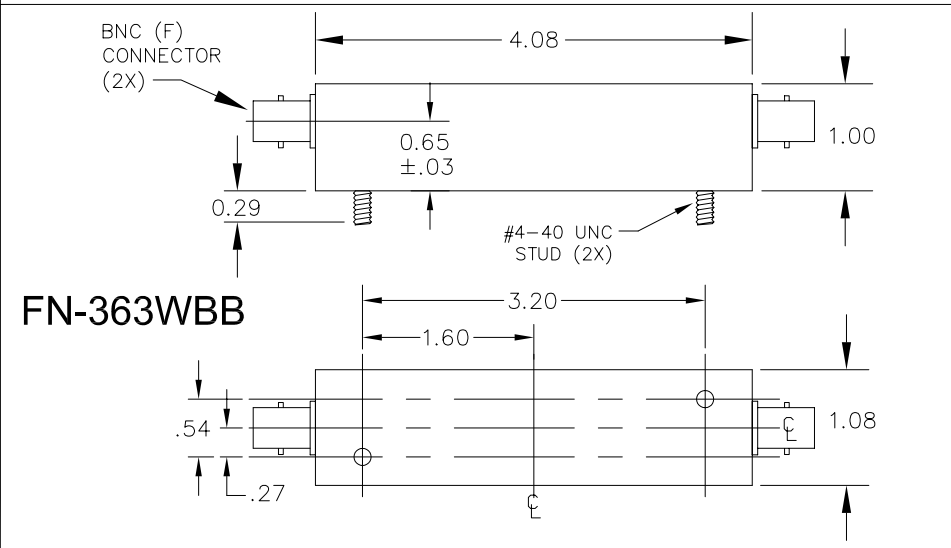
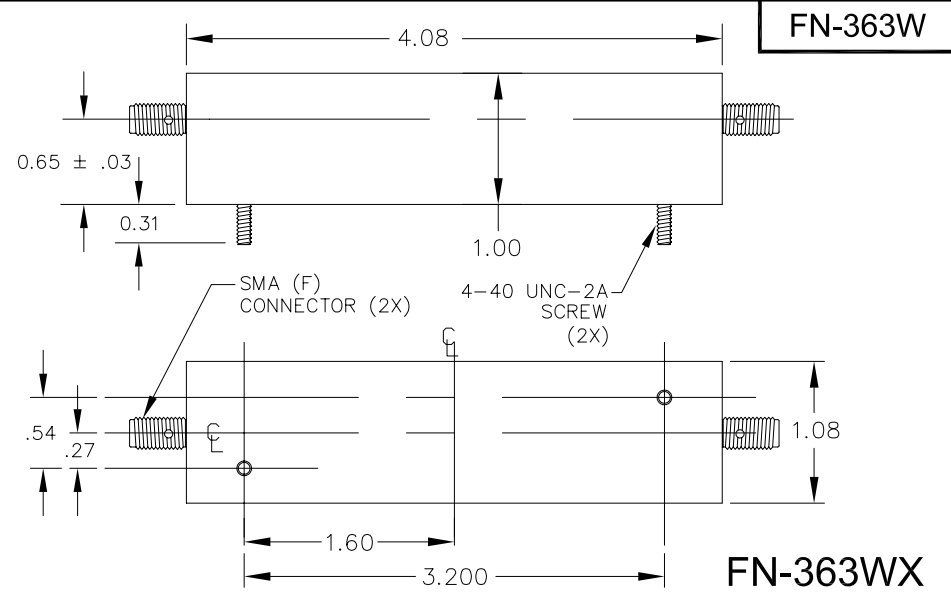


BANDPASS FILTER

Fo: 10.7 MHz
IMPEDANCE : 50 OHM (IN/OUT)
INSERTION LOSS: 9.0 dB MAX
RIPPLE: 0.15 dB MAX
3dB BANDWIDTH: 275 KHz MIN
GAUSSION RESPONSE
70dB BANDWIDTH: 1.6 MHz MAX
OPERATING TEMPERATURE : -55°C to +70°C



FN-363W DRAWING SUMMARY

FILTRONETICS, INC.
 6010 PARRETTA DR.
 KANSAS CITY, MO 64120
 816-231-7375
 FAX 816-241-0368
 WWW.FILTRO.NET

TOLERANCES UNLESS NOTED	
ANGLE = ± 1°	HOLES ± .002
.XX = ± .020	
.XXX = ± .010	
REVISED 11/11/05	

0.040 Ø TERMINAL GLASS/METAL (2X)
 0.040 Ø TERMINAL METAL/METAL (2X)
 GND PIN

FN-363W