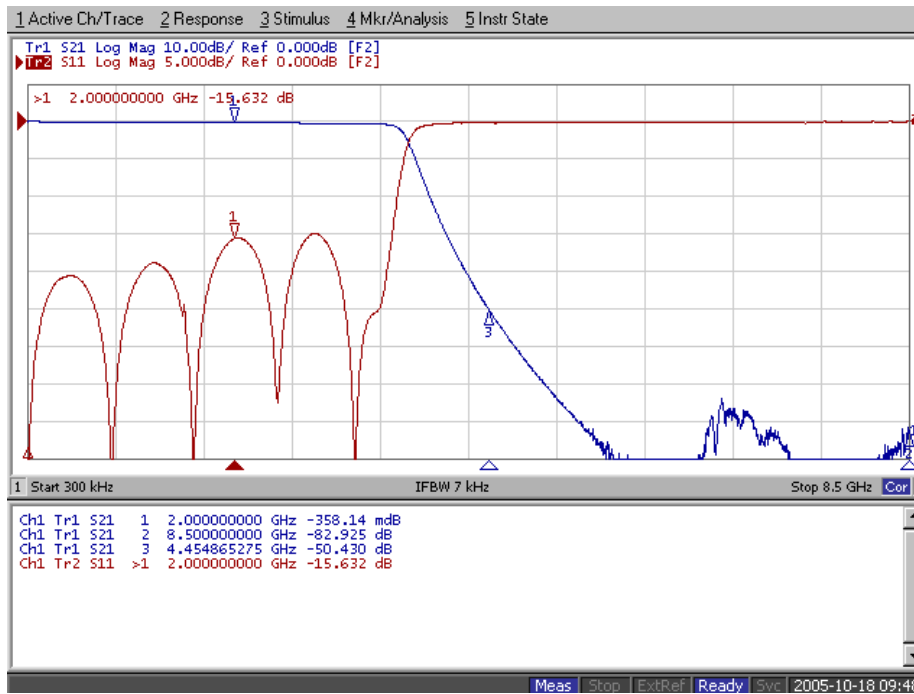
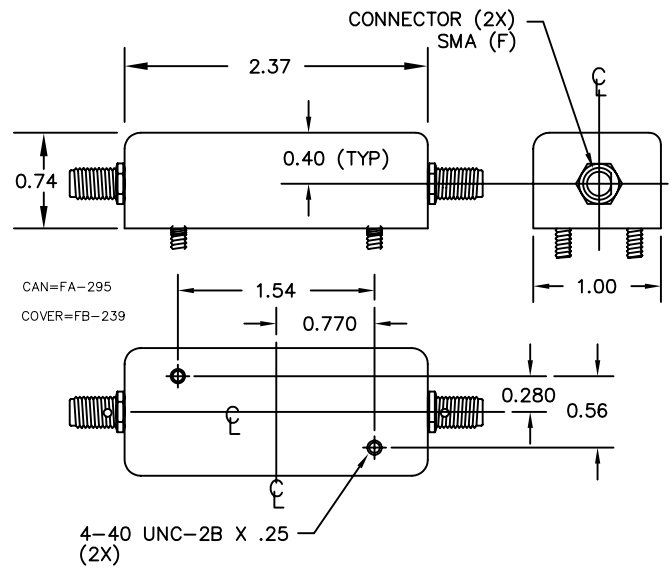


FN-3505-2W

LC LOW PASS FILTER

0.5 dB MAX CUTOFF: 2.0 GHz
 60 dB STOP BAND: 5 GHz MAX
 OPERATING TEMPERATURE : -20° TO +70° C
 TERMINATION IMPEDANCE : 50 OHMS



FN-3505-2W DRAWING SUMMARY

FILTRONETICS, INC.
 6010 PARRETTA DR.
 KANSAS CITY, MO 64120
 816-231-7375
 FAX 816-241-0368
 WWW.FILTRO.NET

TOLERANCES UNLESS NOTED

.XX = ± .020
 .XXX = ± .010

ANGLE = ± 1°
 HOLES = ± .002

REVISED 06/07/2013

FN-3505-2W-SMT

