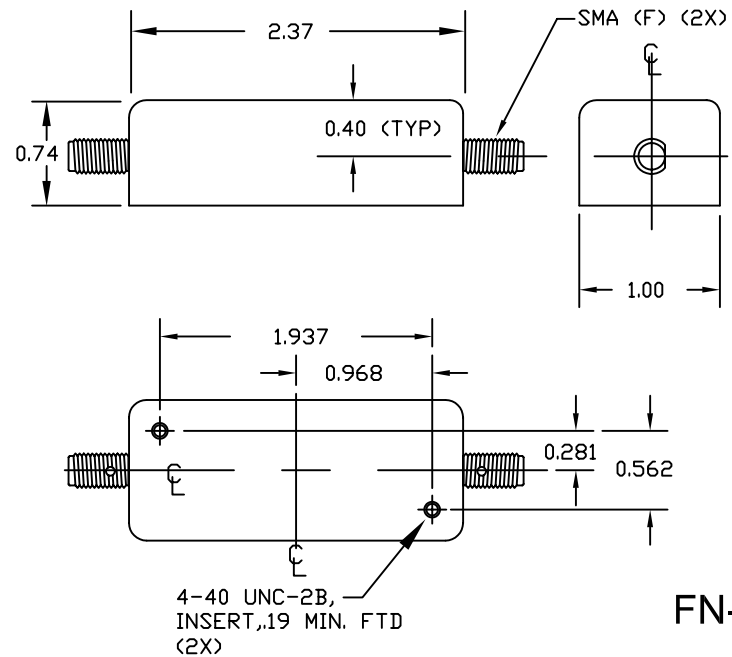
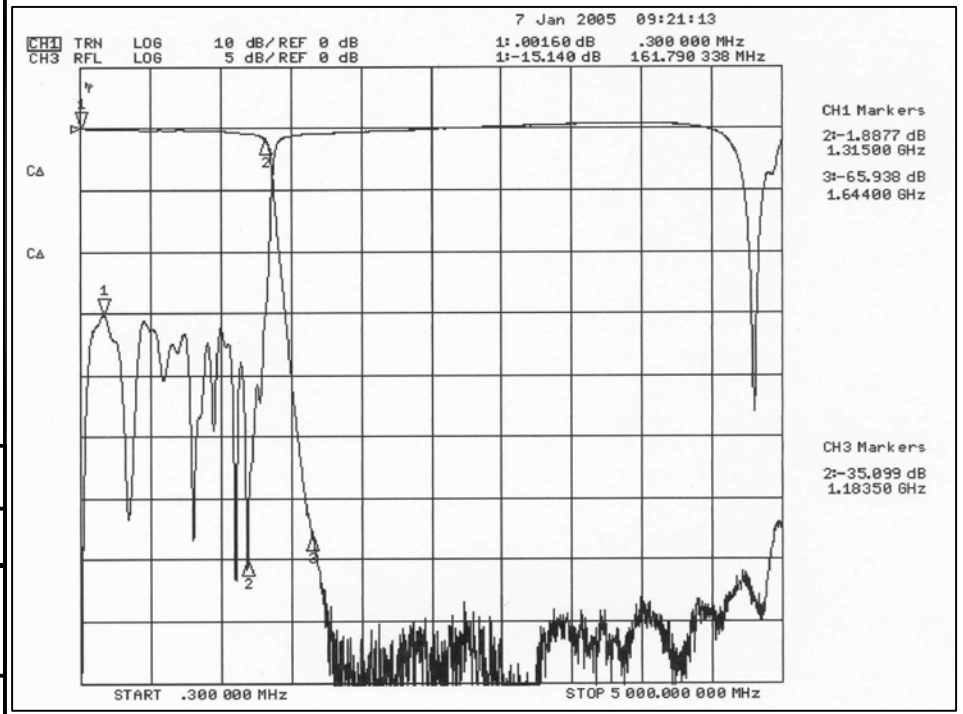


LOWPASS FILTER

3 dB CUTOFF: 1315 MHz MIN
 40dB MIN STOPBAND: 1644 MHz to 5 GHz
 IMPEDANCE : 50 OHMS (IN & OUT)
 INSERTION LOSS: 0.25 dB MAX
 RIPPLE: 0.5 dB MAX
 VSWR to 1183.5 MHz: 2:1 MAX
 OPERATING TEMPERATURE : -40°C to +85°C



FN-3338WJ



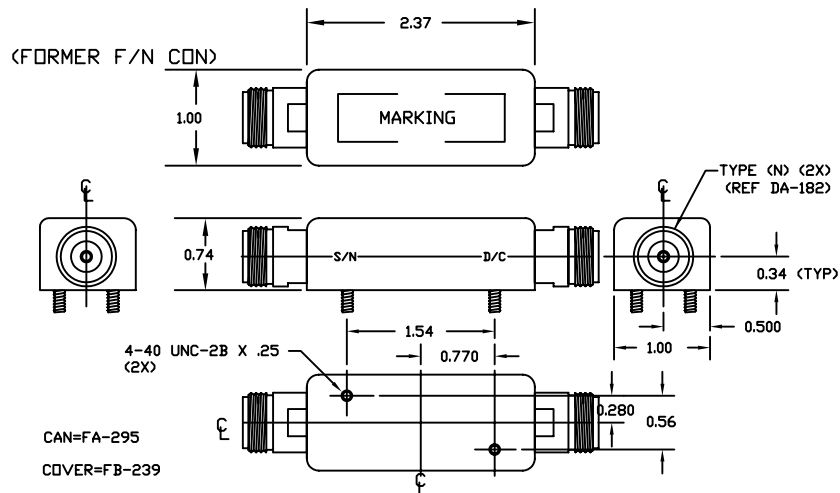
FN-3338W DRAWING SUMMARY SHEET 1 of 2

FILTRONETICS, INC.
 6010 PARRETTA DR.
 KANSAS CITY, MO 64120
 816-231-7375
 FAX 816-241-0368
 WWW.FILTRO.NET

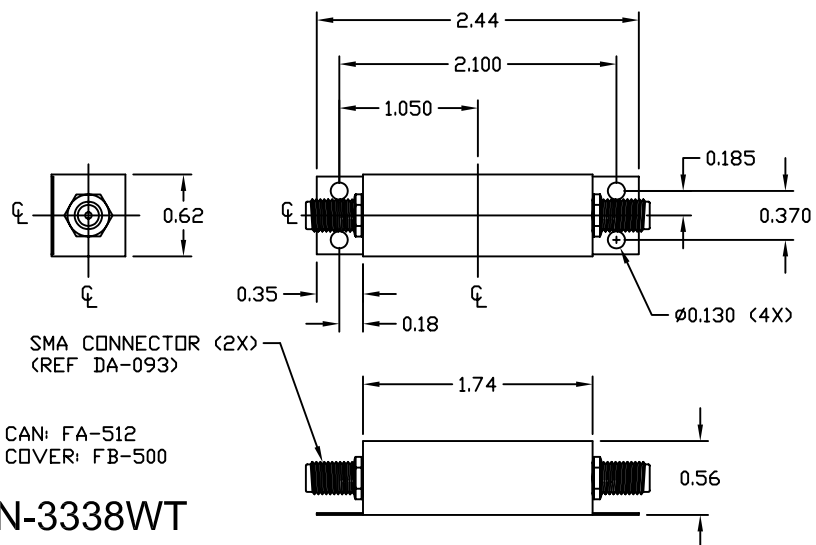
TOLERANCES UNLESS NOTED

ANGLE = ± 1°	HOLES
.XX = ± .020	± .002
.XXX = ± .010	

REVISED 06/01/2012



FN-3338WFC



FN-3338WT

FN-3338W DRAWING SUMMARY SHEET 2 of 2

FILTRONETICS, INC.
 6010 PARRETTA DR.
 KANSAS CITY, MO 64120
 816-231-7375
 FAX 816-241-0368
 WWW.FILTRO.NET

TOLERANCES UNLESS NOTED

ANGLE = $\pm 1^\circ$	HOLES
.XX = $\pm .020$	$\pm .002$
.XXX = $\pm .010$	

REVISED 06/01/2012