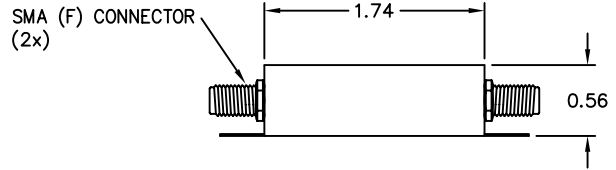
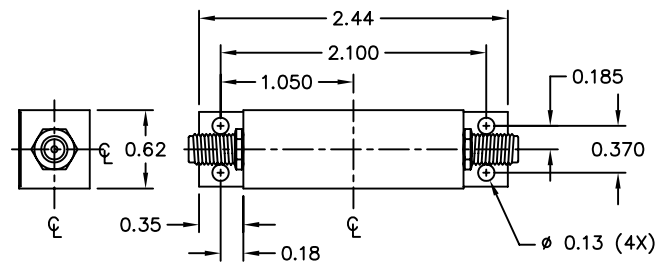


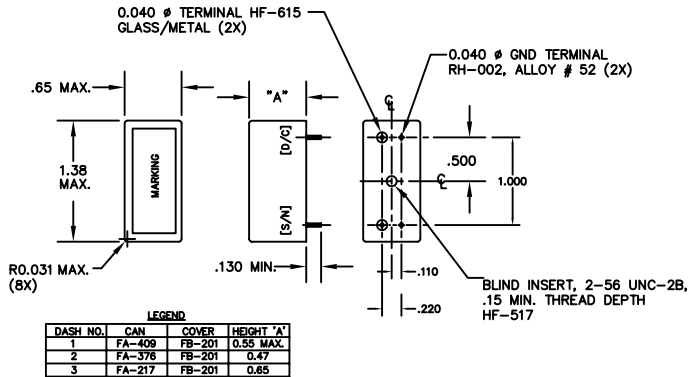
## BANDPASS FILTER

Fo: 100 MHz  
 3dB BANDWIDTH: 7 KHz TYP  
 50 dB BANDWIDTH: 35 KHz MAX  
 INSERTION LOSS: 8.0 dB MAX  
 IMPEDANCE: 50 OHMS (IN & OUT)  
 RIPPLE: 1.0 dB MAX  
 SPURIOUS ATTENUATION: 60dB TYP  
 OPERATING TEMPERATURE: -20°C to +70°C

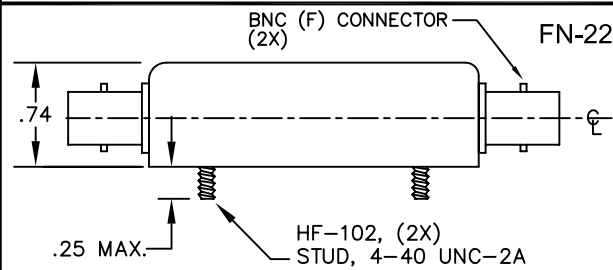
FN-2268WT



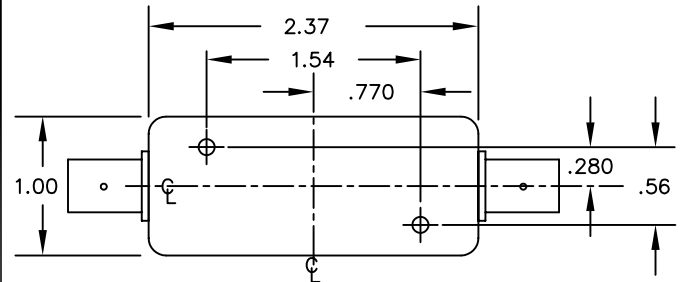
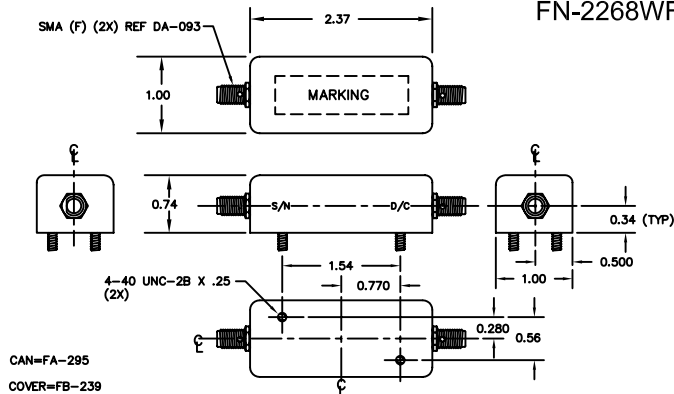
FN-2268WM



FN-2268WK



FN-2268WF



## FN-2268W DRAWING SUMMARY

**FILTRONETICS, INC.**  
 6010 PARRETTA DR.  
 KANSAS CITY, MO 64120  
 816-231-7375  
 FAX 816-241-0368  
 WWW.FILTRO.NET

TOLERANCES UNLESS NOTED

.XX = ± .020

.XXX = ± .010

ANGLE = ± 1°

HOLES = ± .002

REVISED 03/23/2012 PER ECO 4379

FN-2268WEE

