

# BANDPASS FILTER

Fo: 100.05 MHz  $\pm 5$  KHz  
( $\pm 1$  KHz TYP@+25°C)

IMPEDANCE : 50 OHMS (IN & OUT)

INSERTION LOSS: 6 dB MAX

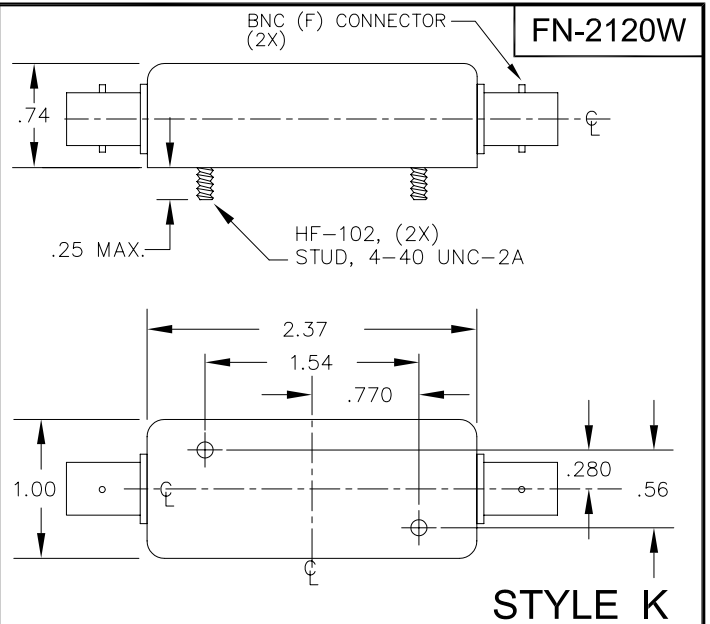
RIPPLE: 0.5 dB MAX

3dB BANDWIDTH: 50 KHz NOM

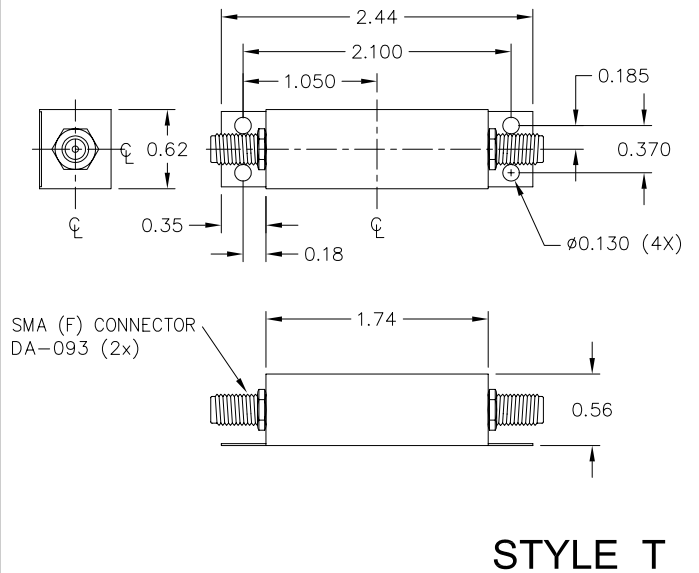
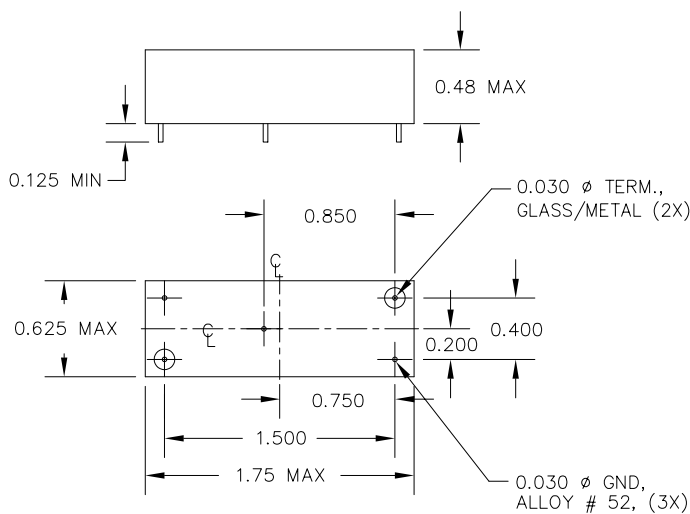
60dB BANDWIDTH: 180 KHz MAX

ULTIMATE ATTENUATION: 70 dB UP TO 250 MHz

OPERATING TEMPERATURE : -40°C to +85°C



## STYLE GG



## FN-2120W DRAWING SUMMARY

**FILTRONETICS, INC.**  
6010 PARRETTA DR.  
KANSAS CITY, MO 64120  
816-231-7375  
FAX 816-241-0368  
WWW.FILTRO.NET

TOLERANCES UNLESS NOTED

.XX =  $\pm .020$   
.XXX =  $\pm .010$

ANGLE =  $\pm 1^\circ$   
HOLES =  $\pm .002$

REVISED 10/12/05

