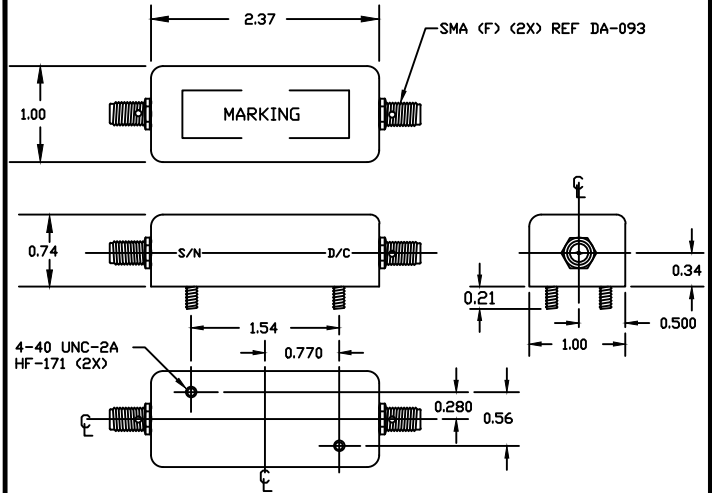


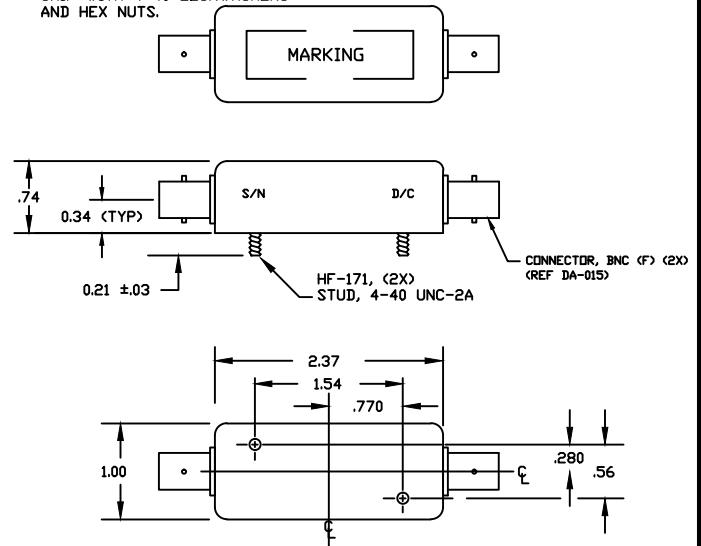
Fo: 159.030 MHz
3dB BANDWIDTH: 10 KHz MINIMUM
50 dB BANDWIDTH: 30 KHz MAXIMUM
INSERTION LOSS: 11 dB MAX
IMPEDANCE: 50 OHMS (IN & OUT)

FN-2102WF

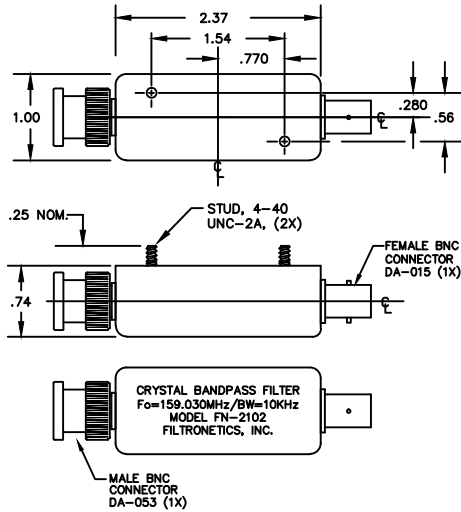


FN-2102WK

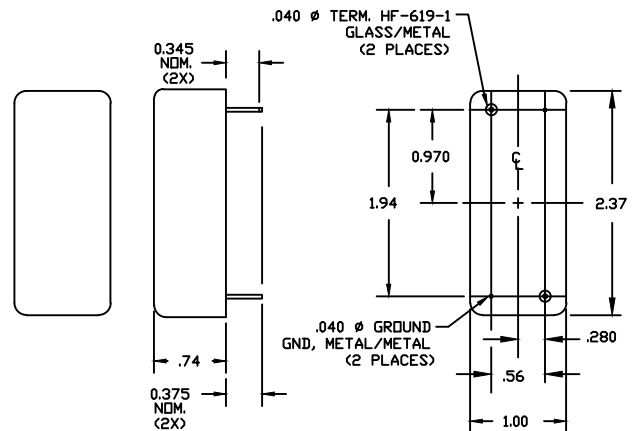
NOTE:
 SHIP WITH 4-40 LOCKWASHERS
 AND HEX NUTS.



FN-2102W



FN-2102WA



FN-2102W DRAWING SUMMARY

FILTRONETICS, INC.
 6010 PARRETTA DR.
 KANSAS CITY, MO 64120
 816-231-7375
 FAX 816-241-0368
 WWW.FILTRO.NET

TOLERANCES UNLESS NOTED

.XX = ± .020
 .XXX = ± .010

ANGLE = ± 1°
 HOLES = ± .002

REVISED