

SPECIFICATION
COMMERCIALY AVAILABLE

CERAMIC BAND PASS
PART NUMBER: CFM-24900204C
RoHS

12/17/14 Correct Attenuation.

ISSUED / REVISION	ENGINEER APPROVED	DOCUMENT CHECKED	DRAFTSMAN	DOCUMENT CHECKED
3/31/2014 (kn)	04/04/2014 TFG		04/04/2014 GL	
12/17/14 (DG)	12/17/14 EH			

FILTRONETICS Inc

1. APPLICATION

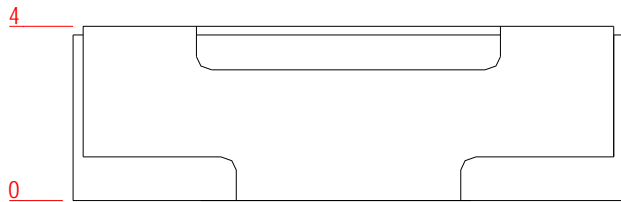
THIS SPECIFICATION APPLIES TO A BAND PASS FILTER, USING DIELECTRIC RESONATORS.

2. PART NUMBER: CFM-24900204C

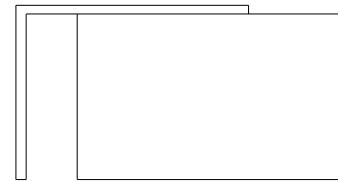
3. SPECIFICATIONS:

No.	Parameter	Unit	Specification
1	Center Frequency	MHz	2490
2	Bandwidth	MHz	$F_c \pm 10$ min. (2480~2500 MHz)
3	Insertion Loss in BW	dB	2.5 max.
4	Ripple in BW	dB	0.5 max.
5	Return Loss in BW	dB	15.0 min.
6	Attenuation	dB	25 min. @ 2420 MHz
			25 min. @ 2560 MHz
7	Input Power	Watt	1 max.
8	IN/OUT Impedance	Ω	50
9	Operating Temp. Range	$^{\circ}\text{C}$	-40 ~ +85

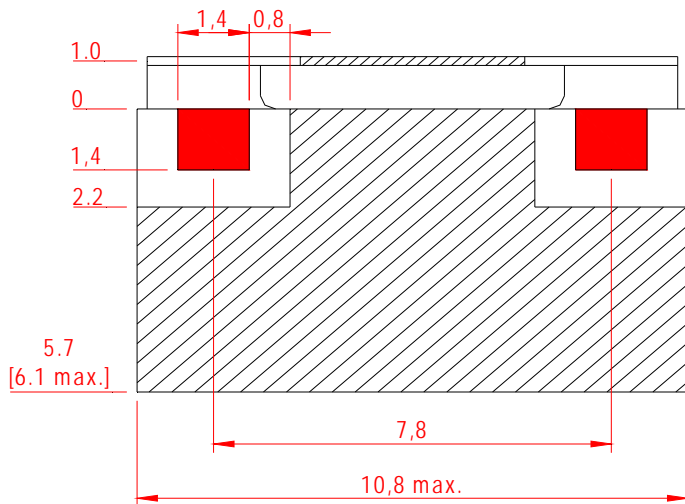
4. DIMENSIONS:



Front Side



Right Side



Bottom Side

 I/O Port
 Ground

Unit : mm

Tolerance unless otherwise specified : ± 0.2

5. SIMULATION:

