

SPECIFICATION

COMMERCIALY AVAILABLE

CERAMIC DUPLEXER
PART NUMBER: CFD-1512165110
RoHS

4/28/2014 added recommended Land Pattern & resist pattern

ISSUED / REVISION	ENGINEER APPROVED	DOCUMENT CHECKED	DRAFTSMAN	DOCUMENT CHECKED
08/08/13 (DG)	08/08/13 TFG		08/09/2013 GL	
4/28/14 ^(kn)	04/29/2014 TFG		04/29/2014 GL	

FILTRONETICS Inc

1. APPLICATION

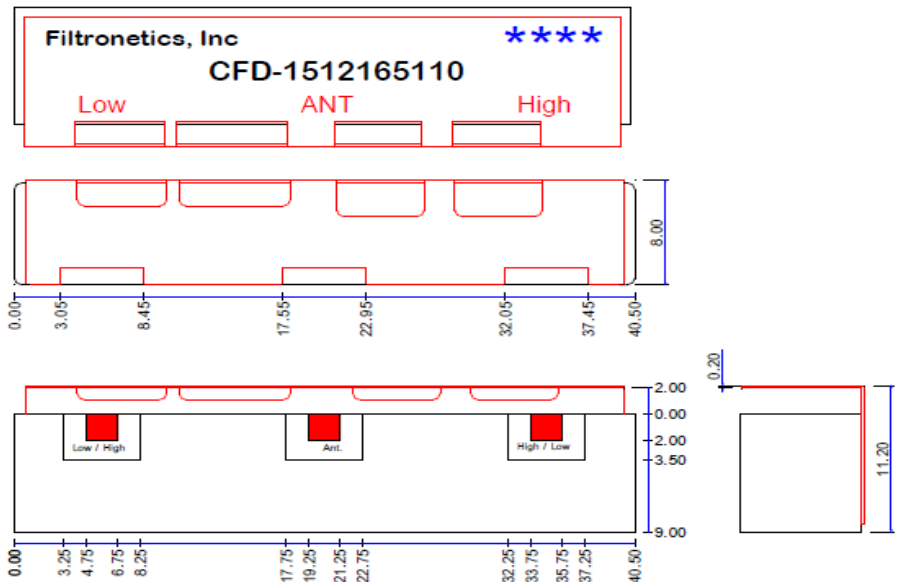
THIS SPECIFICATION APPLIES TO A BAND PASS FILTER, USING DIELECTRIC RESONATORS.

2. PART NUMBER: CFD-1512165110

3. SPECIFICATIONS:

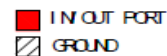
No.	Parameter	Unit	Specification	
			Low Path	High Path
1	Center Frequency	MHz	1512	1651
2	Bandwidth	MHz	Fc ± 25.5 min. (1486.5 ~ 1537.5 MHz)	Fc ± 25.0 min. (1626 ~ 1676MHz)
3	Insertion Loss in BW	dB	1.3 max	1.3 max
4	Ripple in BW	dB	0.6 max	0.6 max
5	Return Loss in BW	dB	14.0 min	
6	Attenuation	dB	62 min. @ (1626 ~ 1676MHz)	62min. @ (1486.5 ~ 1537.5MHz)
7	Isolation	dB	62 min. @ 1486.5 ~ 1537.5MHz & 1626 ~ 1676MHz	
8	Input Power	Watt	5W Max.	
9	IN/OUT Impedance	Ω	50	
10	Operating Temp Range	°C	-45 ~ +85	
11	Pole	ea	10	

4. DIMENSIONS:

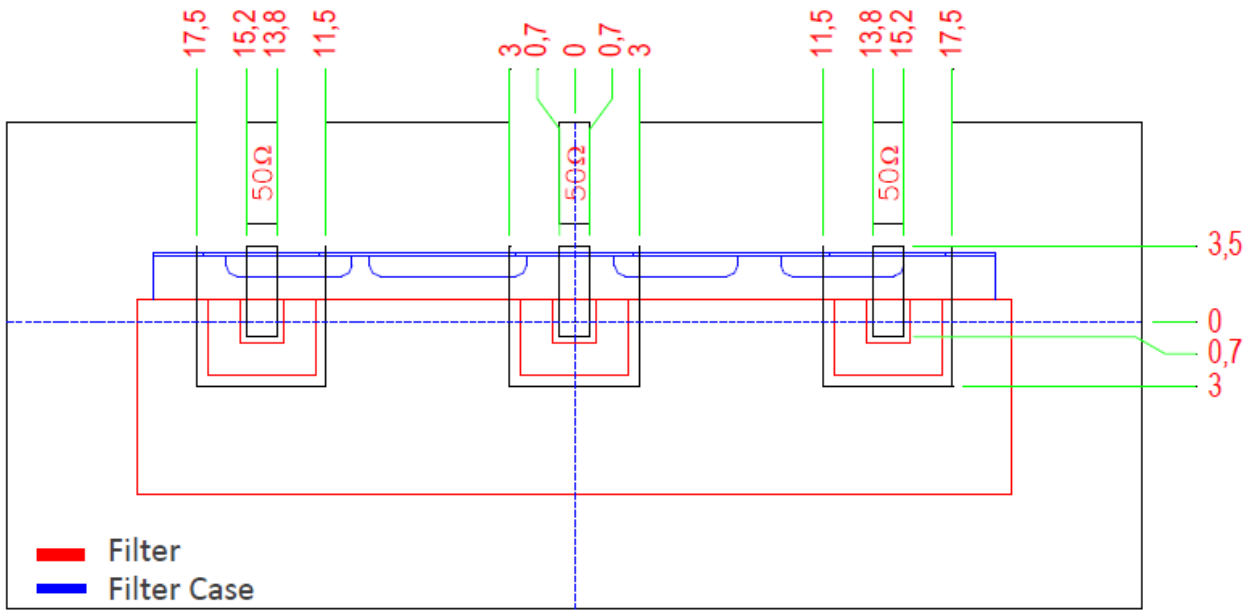


Notes :

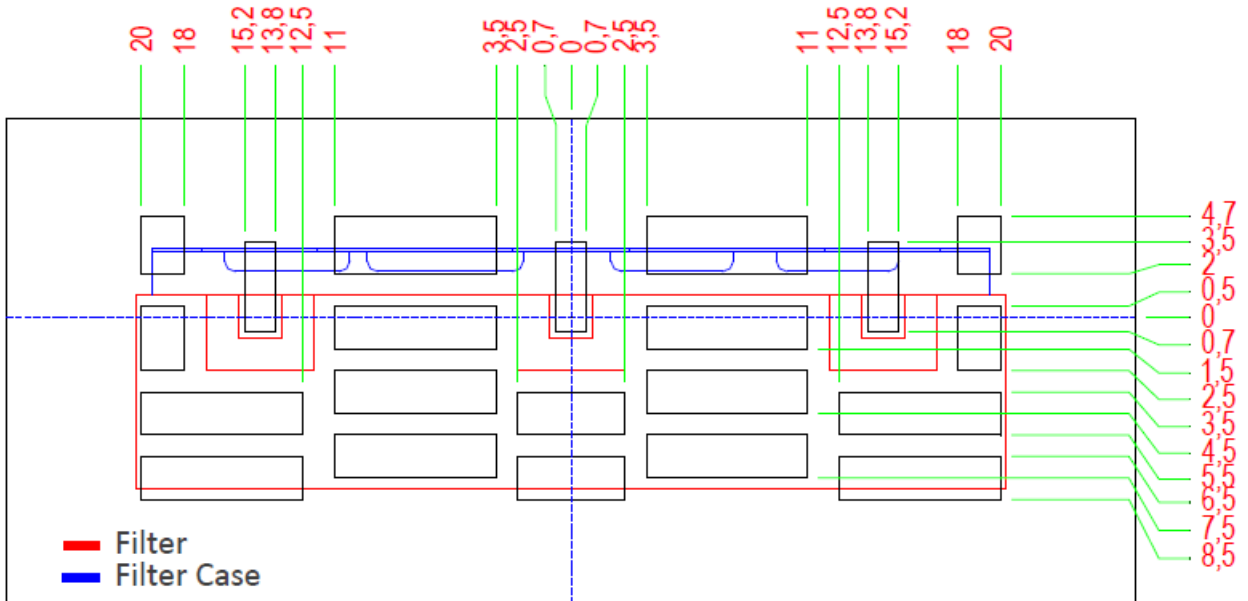
1. Surface mount package
2. Dimensions in millimeters
3. Max reflow temperature 230°C for 10 sec
4. If boards are cleaned after installation units must be completely dried
5. Tolerance unless specified : ±0.3
6. **** -> Date code(YYWW)



Recommended Land Pattern



Recommended Resist Pattern



Note:

For multilayer Mother Boards, it is important that Ground Planes directly below the Hot Pads, are etched out, creating a ground hole to eliminate or reduce stray capacitance. In general, a hole 2 to 3 times the size of the hot pads, will do the job.

5. Graphs:

