

SPECIFICATION
COMMERCIALY AVAILABLE

CERAMIC BAND PASS
PART NUMBER: CF-32206445
RoHS

ISSUED / REVISION	ENGINEER APPROVED	DOCUMENT CHECKED	DRAFTSMAN	DOCUMENT CHECKED
4/21/14 ^(kn)	04/24/2014 TFG		04/24/2014 GL	

FILTRONETICS Inc

1. APPLICATION

THIS SPECIFICATION APPLIES TO A BAND PASS FILTER, USING DIELECTRIC RESONATORS.

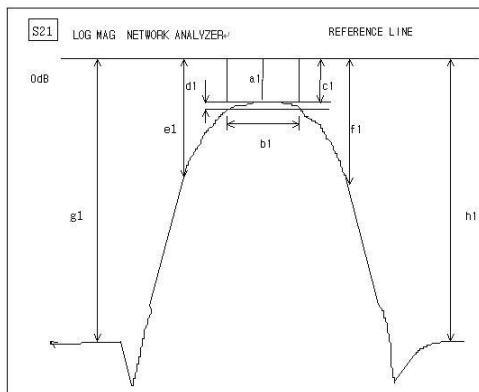
2. PART NUMBER:

PART NO	CF-32206445
PACKAGING	PLASTIC TRAY

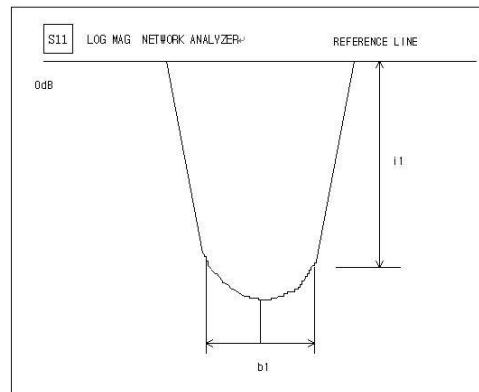
3. SPECIFICATIONS:

NO	ITEMS	Ref.	SPECIFICATION
1	Center Frequency (Fo)	a1	3220 MHz
2	Pass Band Width (=PB)	b1	Fo +/-322MHz (644MHz)
3	Insertion Loss @ Fo+/-322MHz	a1	3.0 dB Max
4	Return Loss @ Fo+/-322MHz	-	12.0 dB Min
5	Attenuation [absolute value]	At Dc~1750MHz	50 dB Min
		At 4300 MHz	48 dB Min
		At 4400~6000 MHz	50 dB Min
6	Group Delay Variation @ Fo ±322MHz		5ns Max
7	Impedance	-	50Ω
8	Maximum Input Power	-	1 W (+30dBm)
9	Operating Temperature Range	-	-20 ~ +85°C

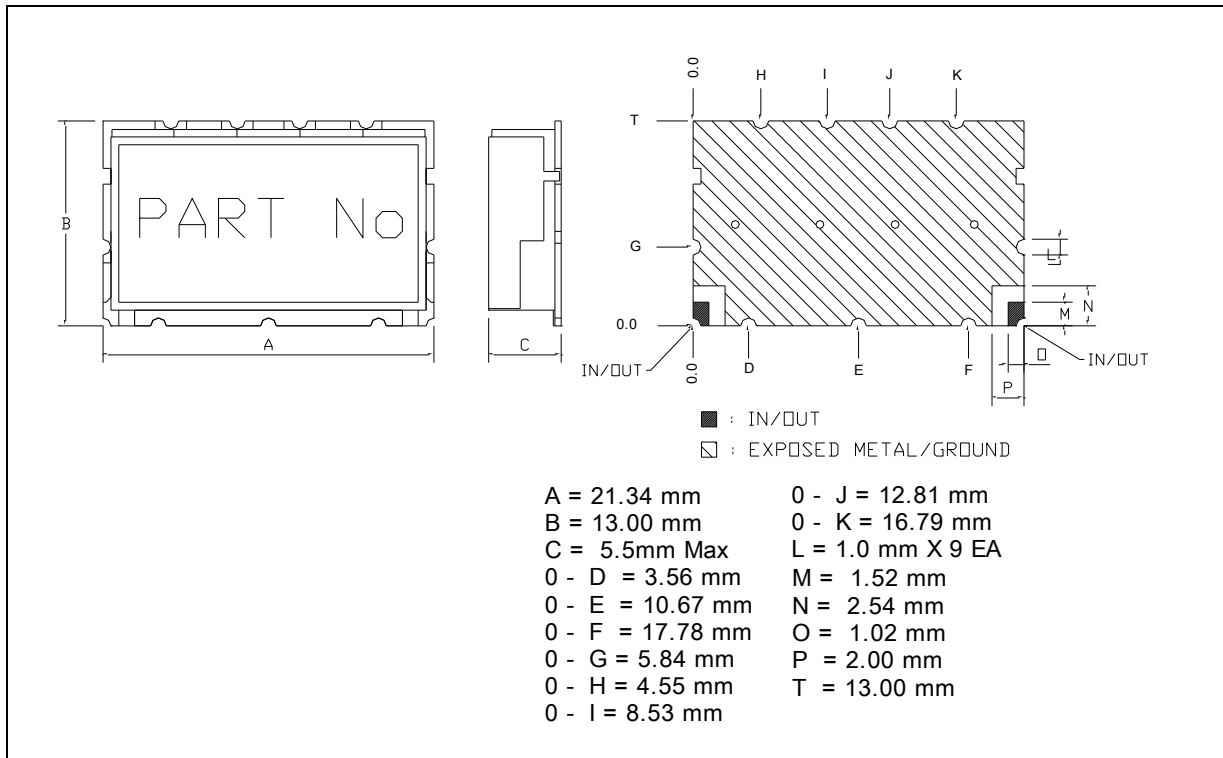
S21 LOG MAG NETWORK ANALYZER



S11 Log Mag Network Analyzer



4. DIMENSIONS:



MATERIAL SPECIFICATION

1. PCB
 - 1) MATERIAL: FR4
 - 2) TERMINALS: Au PLATED
2. METAL CASE
 - 1) COVER MATERIAL: Brass (Sn OR Ni PLATED)
3. RESONATOR : Dielectric Resonator
 - 1) COATING MATERIAL: Ag
 - 2) Number of Poles : 5 Poles
4. ROHS Compliant.

UNIT: MM
TOLERANCE: +/-0.5MM
IN/OUT LAND : +/-0.3MM

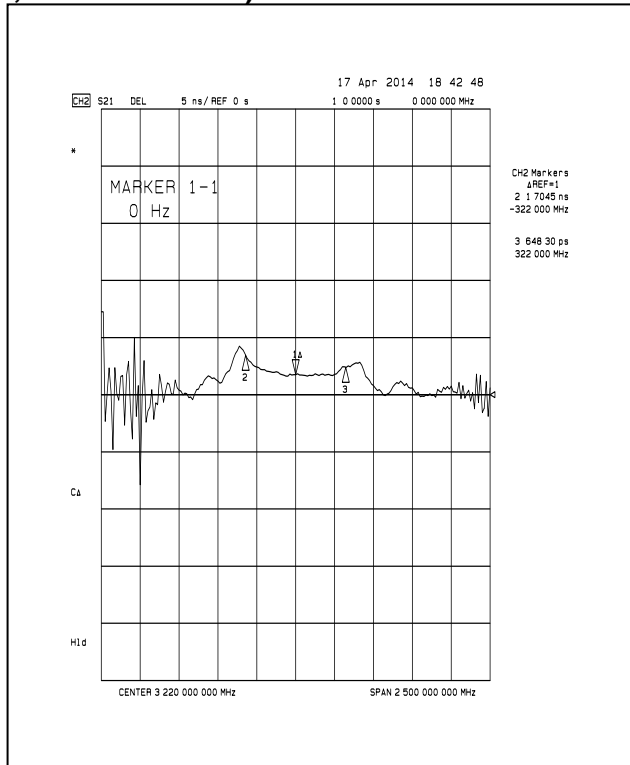
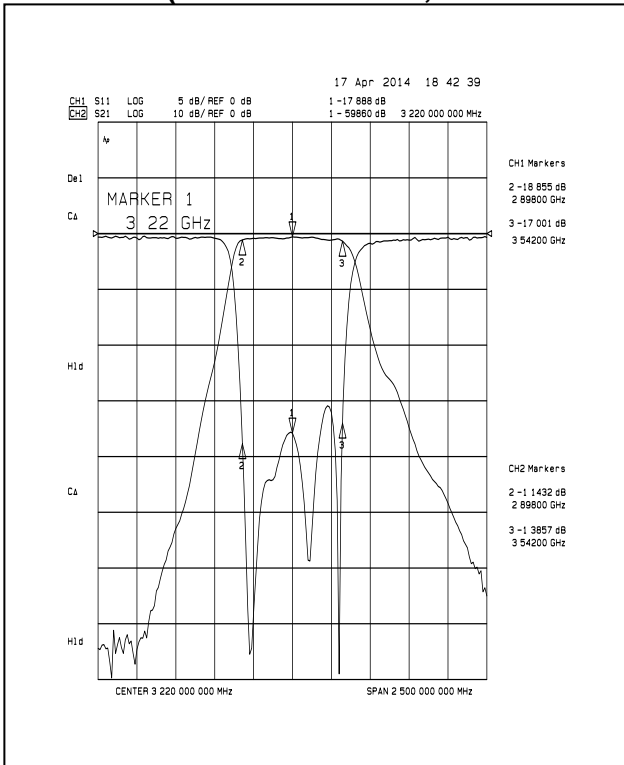
LABEL MARKING
 CF-32206445
 Date Code

CAUTIONS:

1. When handling products, be careful not to damage the outer-electrode.
2. When handling products be careful not to touch the outer-electrode with bare hands or solderability is reduced.
3. Do not apply excessive pressure or shock to product in handling or in transportation or damage to the ceramic filters may result.

5. SIMULATION:

S21 vs S11 (INSERTION LOSS, RETURN LOSS, GROUP DELAY)



S21 (1dB BAND WIDTH, ATTENUATION)

