

SPECIFICATION

COMMERCIALY AVAILABLE

**DIELECTRIC BAND PASS
PART NUMBER: CF-12000355C
NPT**

Also available on kovar backing plate: See FNP-1481-1

06/25/2020 – Revised electrical and footprint.

09/09/2020 – Updated dimensions.

02/15/2021 – Added “Resonator pin (electrode) shall be solder staked inside resonator” and also “No solder resist / mask on top In/Out traces”.

ISSUED / REVISION	ENGINEER APPROVED	DOCUMENT CHECKED	DRAFTSMAN	DOCUMENT CHECKED
05/28/2020 ^(ASM)	05/28/2020 ^(TG)			
06/25/2020 ^(ASM)	06/25/2020 ^(TG)			
09/09/2020 ^(ASM)	09/09/2020 ^(TG)			
02/15/2021 ^(ASM)	02/15/2021 ^(TG)			

FILTRONETICS Inc

1. APPLICATION

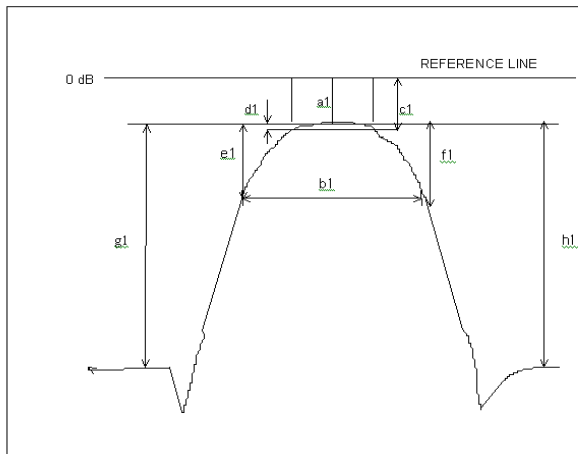
THIS SPECIFICATION APPLIES TO A BAND PASS FILTER, USING DIELECTRIC RESONATORS.

2. PART NUMBER: CF-12000355C

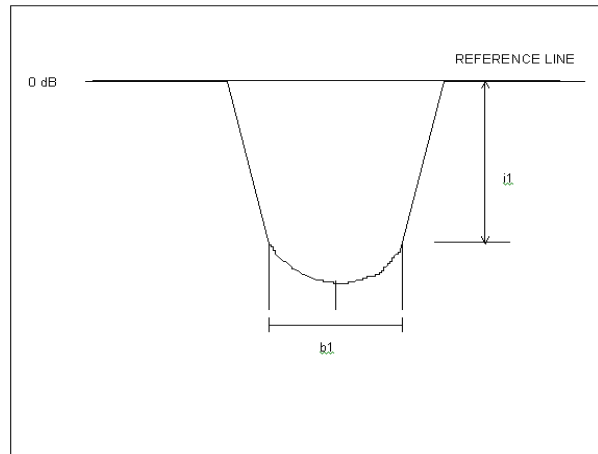
3. SPECIFICATIONS:

ITEMS		Ref.	SPECIFICATION
Center Frequency (Fo)		a1	1200 MHz
Pass Band Width (=PB)		b1	Fo+/-20 MHz
Insertion Loss at Fo		-	2.7 dB Max
Ripple IN PB		-	1.0 dB Max
Return Loss IN PB		-	13 dB Min
Attenuation [Absolute Value]	At Fo- 120MHz	-	58dB Min
	At Fo+ 120MHz	-	54dB Min
	At Fo- 200MHz	-	70dB Min
	At Fo+ 200MHz	-	70dB Min
Impedance		-	50 Ω
Maximum Input Power		-	1 W (+30dBm)
Operating Temperature Range		-	-40°C - +85°C
Workmanship		-	IPC-610 class 2
Process Temperature		-	+150°C for 1 hour or +230°C for 10 minutes

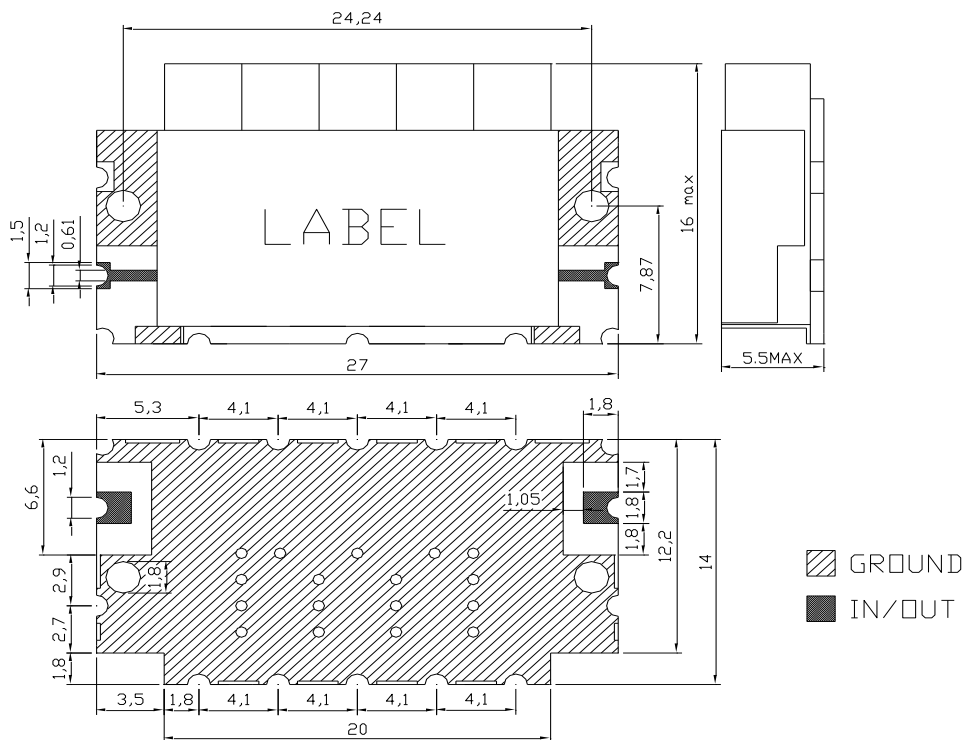
S21 LOG MAG NETWORK ANALYZER



S11 SWR NETWORK ANALYZER



4. DIMENSIONS:



※ MATERIAL SPECIFICATION

1. PCB
 - 1-1. MATERIAL: FR4
 - 1-2. TERMINALS: Sn/Pb, HASL
2. METAL CASE
 - 2-1. Ag or Ni plated brass
3. RESONATOR
 - 3-1. COATING MATERIAL: silver plate, 8~30um
4. INTERNAL SOLDER
 - 4-1. Sn96.5/Ag3.5 Lead Free solder,
221 deg C melting
5. RESONATORS TABS
 - A. 5-1. Ag or Ni plated brass
 - B. Resonator pin (electrode) shall be solder staked inside resonator.
6. NO PURE TIN ALLOWED
7. NO SOLDER RESIST / MASK ON ANY PART OF IN/OUT TRACE THAT EXTENDS BEYOND THE COVER. EXPOSED TRACES TO BE TINNED WITH Sn/Pb, HASL.

※ MARKING

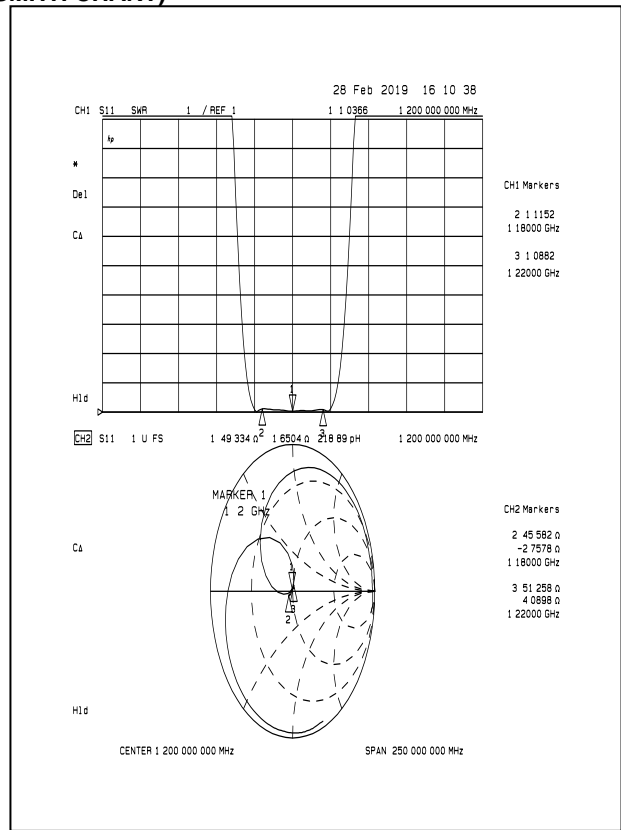
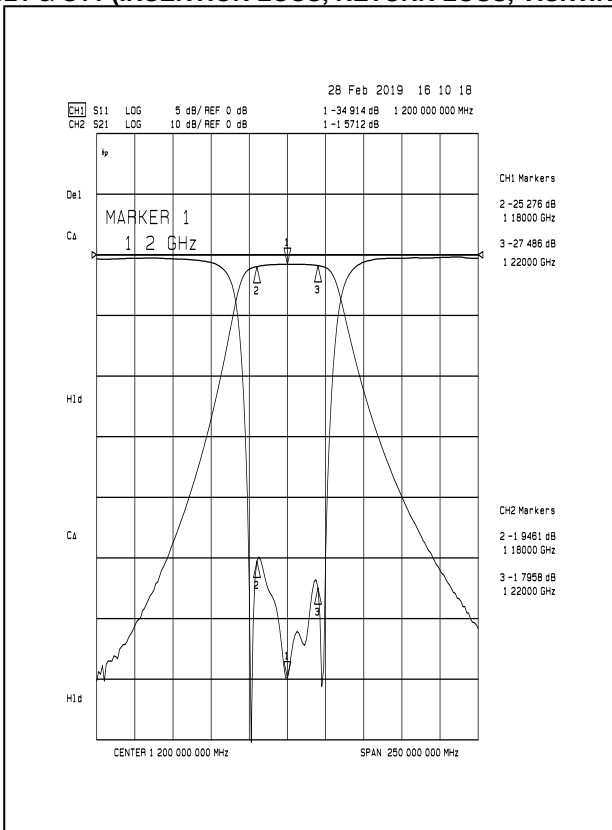
Label Material: High temp polyimide
 Marking:
 CF-12000355C
 Filtronetics
 Date Code: YYWW
 UNIT: MM
 TOLERANCE: +/-0.5MM
 IN/OUT LAND : +/-0.3MM

● CAUTIONS:

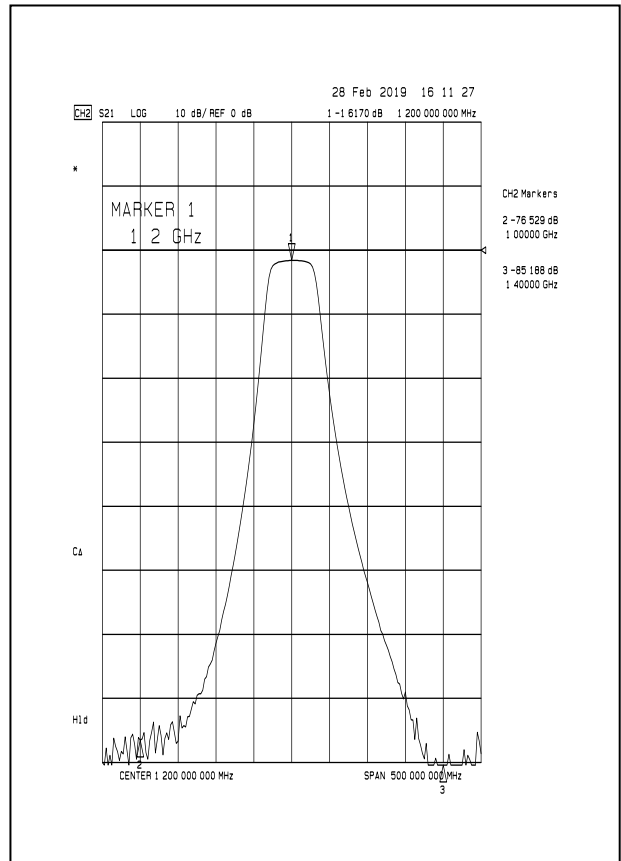
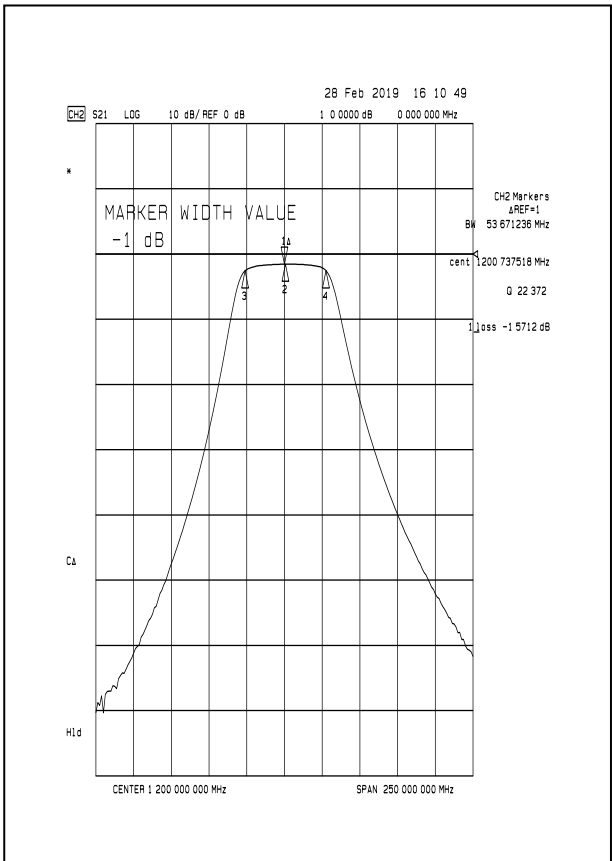
1. When handling products, be careful not to damage the outer-electrode.
2. When handling products be careful not to touch the outer-electrode with bare hands or solderability is reduced.
3. Do not apply excessive pressure or shock to product in handling or in transportation or damage to the ceramic filters may result.

5. SIMULATION:

S21 & S11 (INSERTION LOSS, RETURN LOSS, V.S.W.R, SMITH CHART)



S21 (1.0DB BAND WIDTH, ATTENUATION)



6. DEFINITIONS:

TERMS	DESCRIPTION	SPECIFICATION
Center Frequency	The midpoint of through band pass filter pass band, normally expressed as the arithmetic mean of the -3db point. Also called fo.	3. SPECIFICATION
Pass Band Width	The width of the pass band of a filter referenced to the minimum insertion loss point in the pass band. The pass band of a filter is stated as -1.0dB bandwidth.	
Insertion Loss	The loss of the filter, in db, measured at center frequency relative to a through line (0 dB).	
Attenuation	Reduction of RF power through a filter measured in dB, at desired band and referenced to 0 dB. (Filter to be removed from circuit)	
Pass Band Ripple	Variations in loss in the pass band of the filter, superimposed upon the fundamental shape of the pass band.	
V.S.W.R in Pass Band	The ratio of the maximum value of a standing wave to its minimum value, related to the return loss in pass band.	

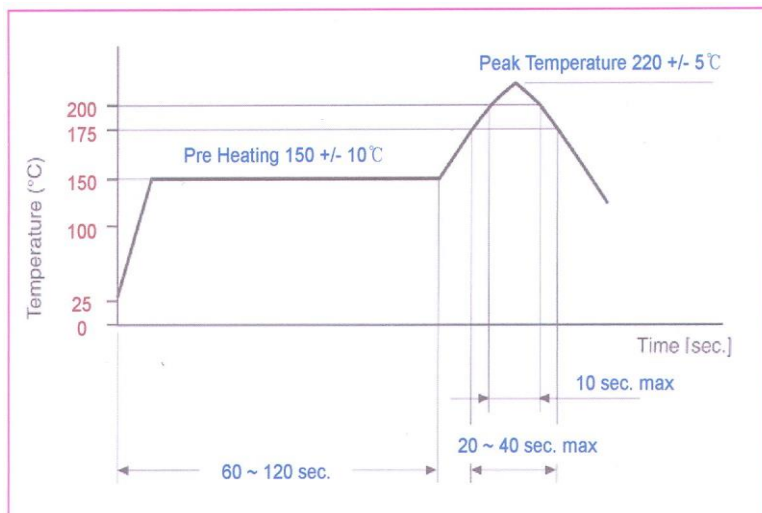
7. QUALITY CONFORMANCE TEST:

Quality Conformance Test 100% Final inspection 100% Test Data	
1)	Visual mechanical to IPC-610 Class 2 Including inspection for cleanliness.
2)	Thermal Shock -44 to +85°C 10 cycles
3)	Electrical Specifications at ambient

8. RELIABILITY TEST AND CONDITIONS:

ITEM	TEST CONDITIONS	REQUIREMENTS
Resistance to solder heat	Preheat temperature : 120 to 150°C Preheat time: 1 to 1.5 min Solder temperature: 260 +/- 10°C Dipping time: 10 +/- 0.5 sec	No damage such as cracks should be caused in chip element.
Solderability	Preheat temperature: 120 to 150°C Preheat time: 1 to 1.5 min Solder temperature: 235 +/- 5°C Dipping time: 5 +/- 1 sec	More than 80% of the terminal electrode shall be covered with new solder
Heat resistance (High-temperature Load)	Temperature: 85 +/- 2°C Applied voltage: Rated voltage Applied current: Rated current Recovery: 1 to 2hrs of recovery under the standard condition after the removal from test chamber.	No mechanical damage. After test, the device shall satisfy the specification in section 3.
Thermal shock (Temperature cycle)	Conditions for 1 cycle Step 1: + 85°C 15 min Step 2 : - 30°C 15 min Number of cycle: 10	No mechanical damage. After test, the device shall satisfy the specification in section 3.
Vibration	Frequency: 10 ~ 50 Hz Amplitude: 1.52mm (0.060 inches) Direction: X, Y and Z Time: each 30 min for all directions	No mechanical damage. After test, the device shall satisfy the specification in section 3.

9. REFLOW SOLDERING STANDARD CONDITIONS FOR TIN/LEAD



- Measuring point of temperature in-out terminals of the device.
- Reflow Soldering
- Both convection and infrared rays
- Hot air
- Hot plates
- Solder Cream: Sn64/Pb36